



★ PCJ45-XL

Flanged housing unit

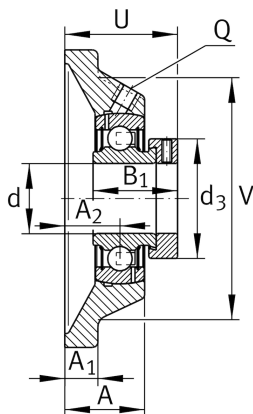
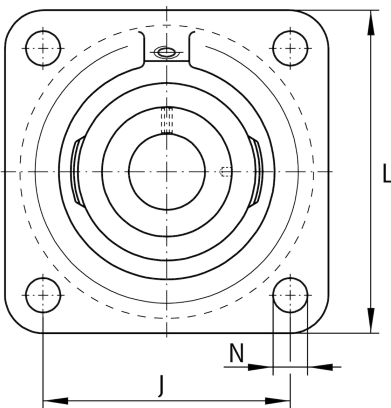
Schaeffler ID:
0009400890000

★ Preferred product

Housing units PCJ, four-bolt flanged housing units, cast iron, eccentric locking collar, P seals

X-life

Technical information



Main Dimensions & Performance Data

d	45 mm	Bore diameter
L	137 mm	Flange width
U	56,7 mm	Total height unit
C_r	34.500 N	Basic dynamic load rating, radial
C_{0r}	20.400 N	Basic static load rating, radial
C_{ur}	1.060 N	Fatigue load limit, radial
	2,24 kg	Weight

Dimensions

A	35 mm	Height housing
A_1	13 mm	Thickness of flange
A_2	24 mm	Distance raceway
V	116 mm	Shoulder diameter housing
Q	Rp1/8	Connection thread lubrication
d_3	63 mm	Outside diameter eccentric locking collar

Mounting dimensions

J	105 mm	Distance fixing bore
N	14 mm	Fixing bore
n	4	Number of screwing holes

Additional information

	1	Number of housings
	CJ09	Housing
	GRAE45-XL-NPP-B	Bearing designation