



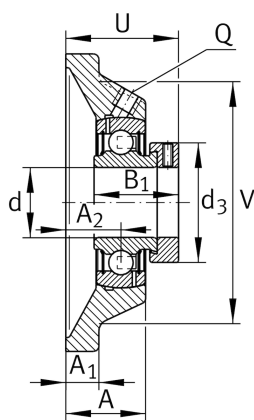
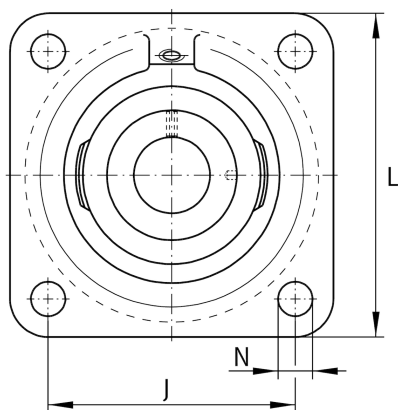
## PCJ20-TV-FA125.5

Flanged housing unit

Schaeffler ID:  
0573409780000

Flanged housing unit PCJ..-TV

### Technical information



### Main Dimensions & Performance Data

d	20 mm	Bore diameter
L	86 mm	Flange width
U	41,5 mm	Total height unit
$C_r$	13.600 N	Basic dynamic load rating, radial
$C_{0r}$	6.600 N	Basic static load rating, radial
$C_{0rG}$	10.200 N	Load carrying capacity (housing)
	0,33 kg	Weight

### Dimensions

A	13,4 mm	Height housing
	1	Number of housings
$A_1$	13,4 mm	Thickness of flange
$A_2$	18 mm	Distance raceway
	GEH.CJ04-TV-HLA	Housing
	GRAE20-NPP-B- FA107/125.5	Bearing designation
	KASK04	Protecting cap
V	63,5 mm	Shoulder diameter housing
Q	1/4-28 UNF	Connection thread lubrication
$d_3$	33 mm	Outside diameter eccentric locking collar

### Mounting dimensions

J	63,5 mm	Distance fixing bore
N	11 mm	Fixing bore
n	4	Number of screwing holes