



## ★ PCJT20-XL-N

Flanged housing unit

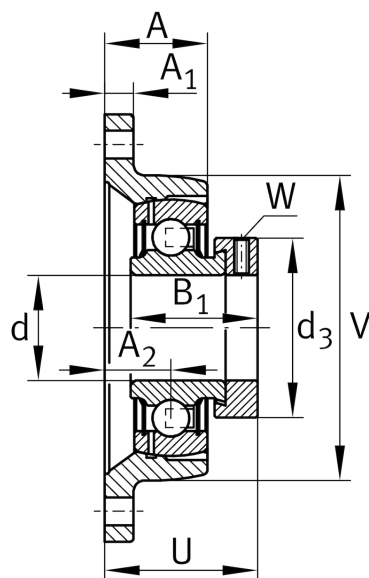
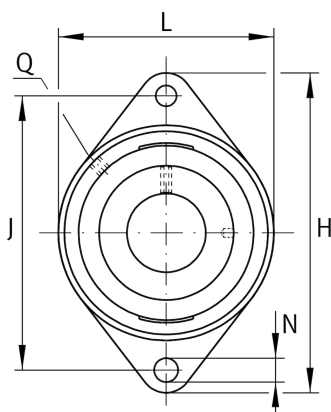
Schaeffler ID:  
0096436130000

Housing units PCJT, two-bolt flanged housing units, cast iron, eccentric locking collar, P seals

★ Preferred product

X-life

### Technical information



### Main Dimensions & Performance Data

d	20 mm	Bore diameter
L	61 mm	Flange width
H	112 mm	Height flange
U	42,5 mm	Total height unit
C <sub>r</sub>	13.600 N	Basic dynamic load rating, radial
C <sub>0r</sub>	6.600 N	Basic static load rating, radial
C <sub>ur</sub>	345 N	Fatigue load limit, radial
	0,44 kg	Weight

### Dimensions

A	28 mm	Height housing
A <sub>1</sub>	10 mm	Thickness of flange
A <sub>2</sub>	19 mm	Distance raceway
V	61 mm	Shoulder diameter housing
Q	M6	Connection thread lubrication
d <sub>3</sub>	33 mm	Outside diameter eccentric locking collar

### Mounting dimensions

J	90 mm	Distance fixing bore
N	11.5 mm	Fixing bore
n	2	Number of screwing holes

### Additional information

1	Number of housings
CJT04	Housing
GRAE20-XL-NPP-B	Bearing designation
KASK04	Protecting cap