



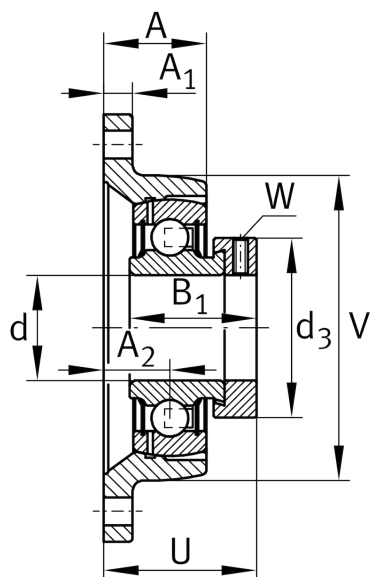
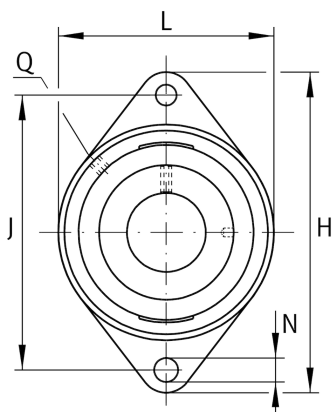
## PCJT30-TV-FA125.5

Flanged housing unit

Schaeffler ID:  
0573400720000

Flanged housing unit PCJT..-TV

### Technical information



### Main Dimensions & Performance Data

d	30 mm	Bore diameter
L	80 mm	Flange width
H	148 mm	Height flange
U	45,8 mm	Total height unit
$C_r$	17.100 N	Basic dynamic load rating, radial
$C_{0r}$	9.200 N	Basic static load rating, radial
$C_{0rG}$	14.200 N	Load carrying capacity (housing)
	0,49 kg	Weight

### Dimensions

A	30,6 mm	Height housing
	1	Number of housings
$A_1$	13,3 mm	Thickness of flange
$A_2$	19 mm	Distance raceway
	GEH.CJT06-TV	Housing
	GRAE30-NPP-B-	Bearing designation
	FA107/125.5	
	KASK06	Protecting cap
V	80 mm	Shoulder diameter housing
Q	1/4-28 UNF	Connection thread lubrication
$d_3$	44 mm	Outside diameter eccentric locking collar

### Mounting dimensions

J	117 mm	Distance fixing bore
N	11 mm	Fixing bore
n	2	Number of screwing holes