



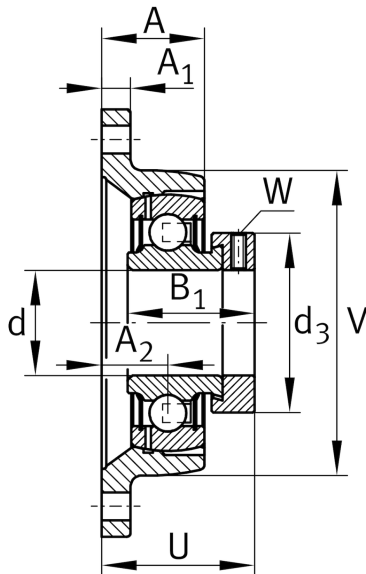
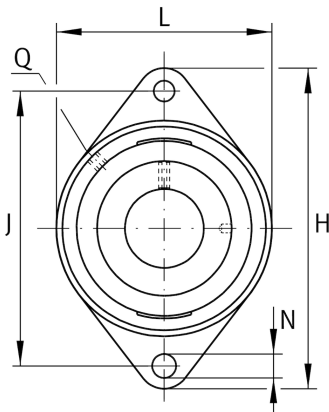
PCJT50-TV-FA125.5

Flanged housing unit

Schaeffler ID:
0573405790000

Flanged housing unit PCJT..-TV

Technical information



Main Dimensions & Performance Data

d	50 mm	Bore diameter
L	115 mm	Flange width
H	197 mm	Height flange
U	57,8 mm	Total height unit
C_r	37.500 N	Basic dynamic load rating, radial
C_{0r}	23.200 N	Basic static load rating, radial
C_{0rG}	15.600 N	Load carrying capacity (housing)
	1,19 kg	Weight

Dimensions

A	43 mm	Height housing
	1	Number of housings
A_1	21 mm	Thickness of flange
A_2	25 mm	Distance raceway
	GEH.CJT10-TV	Housing
	GRAE50-NPP-B-	Bearing designation
	FA107/125.5	
	KASK10	Protecting cap
V	115 mm	Shoulder diameter housing
Q	1/4-28 UNF	Connection thread lubrication
d_3	69 mm	Outside diameter eccentric locking collar

Mounting dimensions

J	157 mm	Distance fixing bore
N	17 mm	Fixing bore
n	2	Number of screwing holes