



★ PCJTY25-XL-N

Flanged housing unit

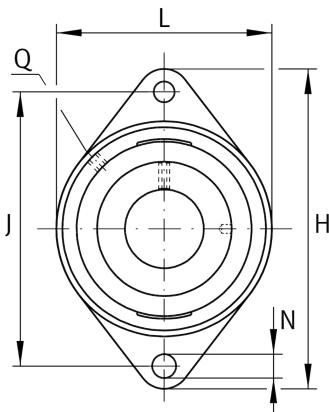
Schaeffler ID:
0009509390000

Housing units PCJTY, two-bolt flanged housing units, cast iron, grub screws in inner ring, P seals

★ Preferred product

X-life

Technical information



Main Dimensions & Performance Data

d	25 mm	Bore diameter
L	70 mm	Flange width
H	124 mm	Height flange
U	38,5 mm	Total height unit
C _r	14.000 N	Basic dynamic load rating, radial
C _{0r}	7.800 N	Basic static load rating, radial
C _{ur}	335 N	Fatigue load limit, radial
	0,55 kg	Weight

Dimensions

A	26,5 mm	Height housing
A ₁	11 mm	Thickness of flange
A ₂	19 mm	Distance raceway
B	27 mm	Width
V	70 mm	Shoulder diameter housing
Q	M6	Connection thread lubrication

Mounting dimensions

J	99 mm	Distance fixing bore
N	11,5 mm	Fixing bore
n	2	Number of screwing holes

Additional information

	1	Number of housings
	CJT05	Housing
	GAY25-XL-NPP-B	Bearing designation
	KASK05	Protecting cap

