



PCJTY45-XL

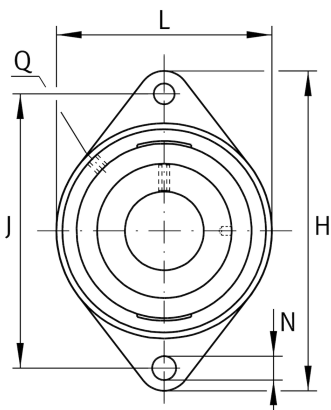
Flanged housing unit

Schaeffler ID:
0009492720000

Housing units PCJTY, two-bolt flanged housing units, cast iron, grub screws in inner ring, P seals

X-life

Technical information



Main Dimensions & Performance Data

d	45 mm	Bore diameter
L	111 mm	Flange width
H	180 mm	Height flange
U	54,5 mm	Total height unit
C_r	34.500 N	Basic dynamic load rating, radial
C_{0r}	20.400 N	Basic static load rating, radial
C_{ur}	1.060 N	Fatigue load limit, radial
	1,67 kg	Weight

Dimensions

A	35 mm	Height housing
	1	Number of housings
A_1	13 mm	Thickness of flange
A_2	24 mm	Distance raceway
	CJT09	Housing
	GAY45-XL-NPP-B	Bearing designation
B	41,5 mm	Width
V	111 mm	Shoulder diameter housing
Q	Rp1/8	Connection thread lubrication

Mounting dimensions

J	148,5 mm	Distance fixing bore
N	14 mm	Fixing bore
n	2	Number of screwing holes

