



## PCJTY50-XL-N

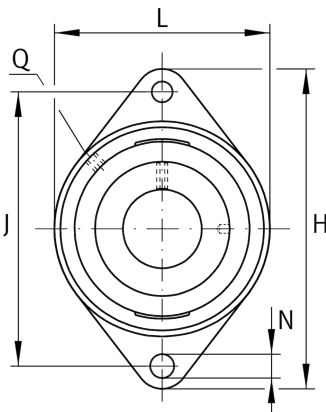
### Flanged housing unit

Schaeffler ID:  
0009492640000

Housing units PCJTY, two-bolt flanged housing units, cast iron, grub screws in inner ring, P seals

X-life

## Technical information



### Main Dimensions & Performance Data

d	50 mm	Bore diameter
L	116 mm	Flange width
H	190 mm	Height flange
U	60 mm	Total height unit
$C_r$	37.500 N	Basic dynamic load rating, radial
$C_{0r}$	23.200 N	Basic static load rating, radial
$C_{ur}$	1.210 N	Fatigue load limit, radial
	1,94 kg	Weight

### Dimensions

A	39 mm	Height housing
	1	Number of housings
$A_1$	13 mm	Thickness of flange
$A_2$	28 mm	Distance raceway
	CJT10	Housing
	GAY50-XL-NPP-B	Bearing designation
B	43 mm	Width
	KASK10	Protecting cap
V	116 mm	Shoulder diameter housing
Q	Rp1/8	Connection thread lubrication

### Mounting dimensions

J	157 mm	Distance fixing bore
N	18 mm	Fixing bore
n	2	Number of screwing holes

