



PCJTY60-XL-N

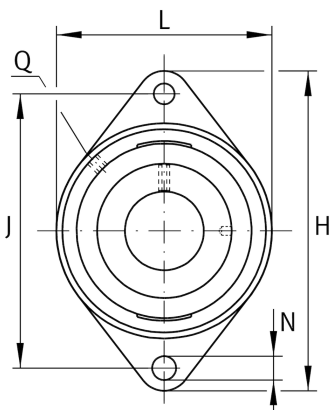
Flanged housing unit

Schaeffler ID:
0009492560000

Housing units PCJTY, two-bolt flanged housing units, cast iron, grub screws in inner ring, P seals

X-life

Technical information



Main Dimensions & Performance Data

d	60 mm	Bore diameter
L	138 mm	Flange width
H	238 mm	Height flange
U	68 mm	Total height unit
C_r	56.000 N	Basic dynamic load rating, radial
C_{0r}	36.000 N	Basic static load rating, radial
C_{ur}	1.870 N	Fatigue load limit, radial
	3,16 kg	Weight

Dimensions

A	46 mm	Height housing
	1	Number of housings
A_1	16 mm	Thickness of flange
A_2	34 mm	Distance raceway
	CJT12	Housing
	GAY60-XL-NPP-B	Bearing designation
B	47 mm	Width
	KASK12	Protecting cap
V	138 mm	Shoulder diameter housing
Q	Rp1/8	Connection thread lubrication

Mounting dimensions

J	202 mm	Distance fixing bore
N	18 mm	Fixing bore
n	2	Number of screwing holes

