



PCJY20-XL-N

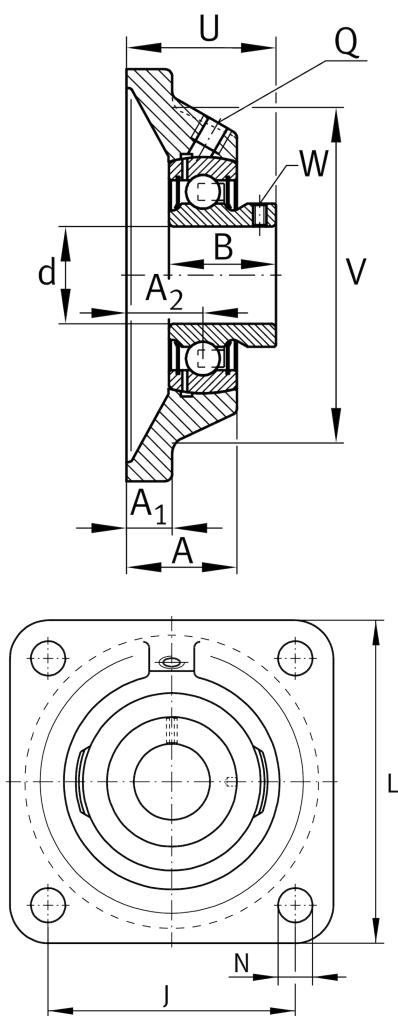
Flanged housing unit

Schaeffler ID:
0009512770000

Housing units PCJY, four-bolt flanged housing units, cast iron, grub screws in inner ring, P seals

X-life

Technical information



Main Dimensions & Performance Data

d	20 mm	Bore diameter
L	86 mm	Flange width
U	37 mm	Total height unit
C_r	13.600 N	Basic dynamic load rating, radial
C_{0r}	6.600 N	Basic static load rating, radial
C_{ur}	345 N	Fatigue load limit, radial
	0,56 kg	Weight

Dimensions

A	29 mm	Height housing
	1	Number of housings
A_1	10 mm	Thickness of flange
A_2	19 mm	Distance raceway
	CJ04	Housing
	GAY20-XL-NPP-B	Bearing designation
B	25 mm	Width
	KASK04	Protecting cap
V	68 mm	Shoulder diameter housing
Q	M6	Connection thread lubrication

Mounting dimensions

J	63,5 mm	Distance fixing bore
N	11.5 mm	Fixing bore
n	4	Number of screwing holes