



## PCJY25-XL-N

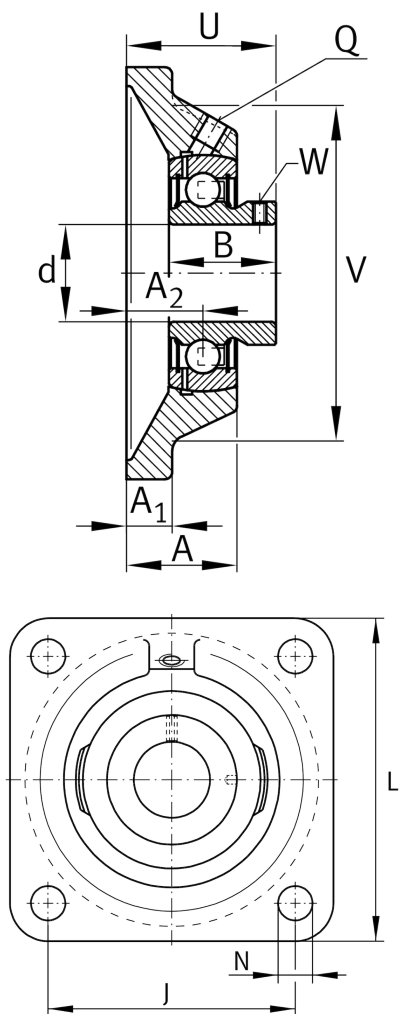
### Flanged housing unit

Schaeffler ID:  
0009512690000

Housing units PCJY, four-bolt flanged housing units, cast iron, grub screws in inner ring, P seals

X-life

## Technical information



### Main Dimensions & Performance Data

d	25 mm	Bore diameter
L	95 mm	Flange width
U	38,5 mm	Total height unit
$C_r$	14.000 N	Basic dynamic load rating, radial
$C_{0r}$	7.800 N	Basic static load rating, radial
$C_{ur}$	335 N	Fatigue load limit, radial
	0,73 kg	Weight

### Dimensions

A	29 mm	Height housing
	1	Number of housings
$A_1$	11 mm	Thickness of flange
$A_2$	19 mm	Distance raceway
	CJ05	Housing
	GAY25-XL-NPP-B	Bearing designation
B	27 mm	Width
	KASK05	Protecting cap
V	74 mm	Shoulder diameter housing
Q	M6	Connection thread lubrication

### Mounting dimensions

J	70 mm	Distance fixing bore
N	11.5 mm	Fixing bore
n	4	Number of screwing holes