



## ★ RA30-XL

Flanged housing unit

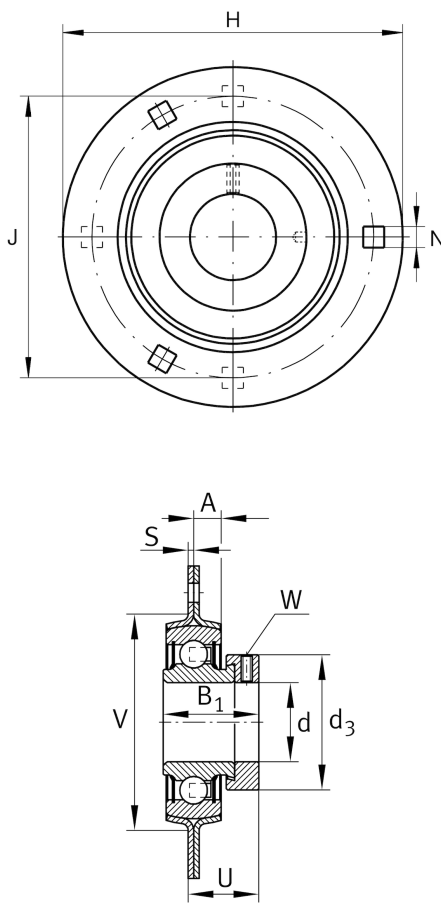
Schaeffler ID:  
0008292930000

Flanged housing unit RA...-XL

★ Preferred product

X-life

### Technical information



### Main Dimensions & Performance Data

d	30 mm	Bore diameter
H	112,7 mm	Height flange
H	112,7 mm	Flange width
U	29,2 mm	Total height unit
B <sub>1</sub>	35,8 mm	Locking collar total width
C <sub>ur</sub>	480 N	Fatigue load limit, radial
C <sub>r</sub>	19.500 N	Basic dynamic load rating, radial
C <sub>0r</sub>	11.300 N	Basic static load rating, radial
C <sub>0rG</sub>	5.000 N	Load carrying capacity (housing)
	0,58 kg	Weight

### Dimensions

A	8,7 mm	Height housing
S	2,5 mm	Thickness of flange
V	71 mm	Shoulder diameter housing
d <sub>3</sub>	44 mm	Outside diameter locking collar/locknut

### Mounting dimensions

J	90,5 mm	Pitch circle diameter (holes)
N	10,5 mm	Fixing square
n	3	Number of screwing holes

### Additional information

	2	Number of housings
	FLAN62-MSB	Housing
	EXZ	Fixing
	RAE30-XL-NPP-B	Bearing designation