



★ RAT20-XL

Flanged housing unit

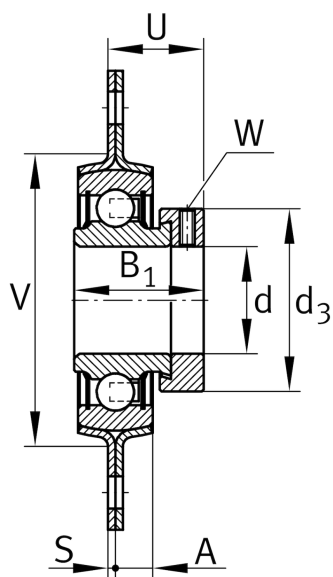
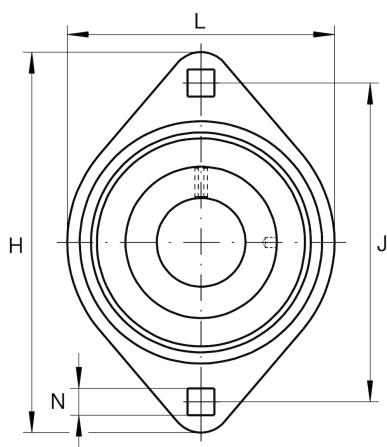
Schaeffler ID:
0008280680000

★ Preferred product

Housing units RAT, two-bolt flanged housing units, sheet steel, eccentric locking collar, P seals

X-life

Technical information



Main Dimensions & Performance Data

d	20 mm	Bore diameter
L	66 mm	Flange width
H	90,5 mm	Height flange
H	90,5 mm	Flange width
U	25,5 mm	Total height unit
C_r	13.600 N	Basic dynamic load rating, radial
C_{0r}	6.600 N	Basic static load rating, radial
C_{ur}	345 N	Fatigue load limit, radial
C_{0rG}	3.200 N	Load carrying capacity (housing)
C_g	3.200 N	Load carrying capacity (housing)
	0,26 kg	Weight

Dimensions

A	8 mm	Height housing
S_1	2 mm	Thickness of flange
S	2 mm	Thickness of flange
V	55 mm	Shoulder diameter housing

Mounting dimensions

J	71,5 mm	Distance fixing bore
N	8,7 mm	Fixing square
n	2	Number of screwing holes

Additional information

	2	Number of housings
	FLAN47-MST	Housing
	RAE20-XL-NPP-B	Bearing designation