



## ★ RAT25-XL

Flanged housing unit

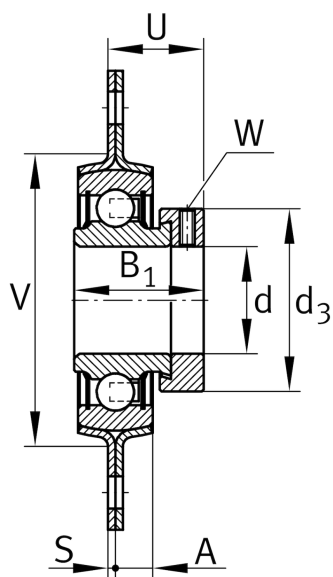
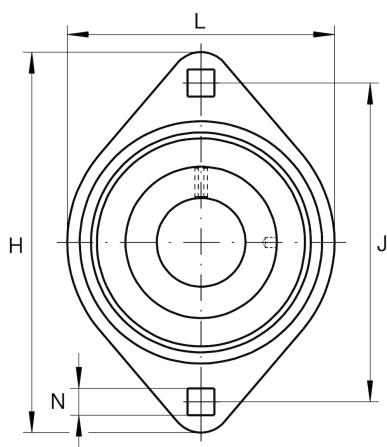
Schaeffler ID:  
0008280760000

Housing units RAT, two-bolt flanged housing units, sheet steel, eccentric locking collar, P seals

★ Preferred product

X-life

### Technical information



### Main Dimensions & Performance Data

d	25 mm	Bore diameter
L	71 mm	Flange width
H	95,2 mm	Height flange
H	95 mm	Flange width
U	25,5 mm	Total height unit
$C_r$	14.000 N	Basic dynamic load rating, radial
$C_{0r}$	7.800 N	Basic static load rating, radial
$C_{ur}$	410 N	Fatigue load limit, radial
$C_{0rG}$	3.650 N	Load carrying capacity (housing)
$C_g$	3.650 N	Load carrying capacity (housing)
	0,276 kg	Weight

### Dimensions

A	8,7 mm	Height housing
$S_1$	2 mm	Thickness of flange
S	2 mm	Thickness of flange
V	60 mm	Shoulder diameter housing

### Mounting dimensions

J	76,2 mm	Distance fixing bore
N	8,7 mm	Fixing square
n	2	Number of screwing holes

### Additional information

	2	Number of housings
	FLAN52-MST	Housing
	RAE25-XL-NPP-B	Bearing designation