



## ★ RATY12-XL

### Flanged housing unit

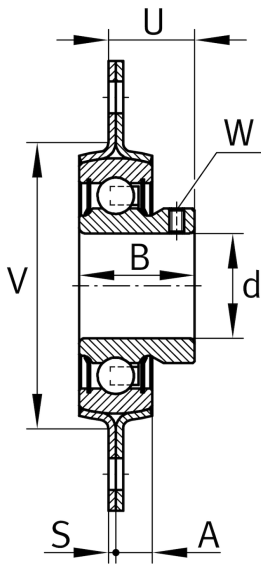
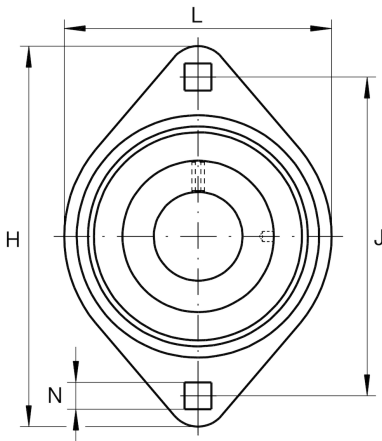
Schaeffler ID:  
0009401860000

Housing units RATY, two-bolt flanged housing units, sheet steel, grub screws in inner ring, P seals

★ Preferred product

X-life

## Technical information



### Main Dimensions & Performance Data

d	12 mm	Bore diameter
L	58,7 mm	Flange width
H	81 mm	Height flange
H	81 mm	Flange width
U	18 mm	Total height unit
$C_r$	9.800 N	Basic dynamic load rating, radial
$C_{0r}$	4.750 N	Basic static load rating, radial
$C_{ur}$	202 N	Fatigue load limit, radial
$C_{0rG}$	2.700 N	Load carrying capacity (housing)
$C_g$	2.700 N	Load carrying capacity (housing)
	0,14 kg	Weight

### Dimensions

A	7 mm	Height housing
B	22 mm	Width
$S_1$	2 mm	Thickness of flange
S	2 mm	Thickness of flange
V	48 mm	Shoulder diameter housing

### Mounting dimensions

J	63,5 mm	Distance fixing bore
N	7.1 mm	Fixing bore
N	7,1 mm	Fixing square
n	2	Number of screwing holes

### Additional information

	2	Number of housings
	FLAN40-MST	Housing
	AY12-XL-NPP-B	Bearing designation