



★ RATY15-XL

Flanged housing unit

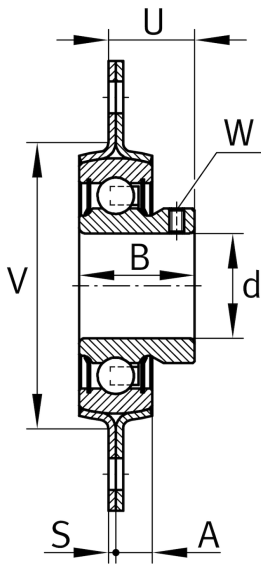
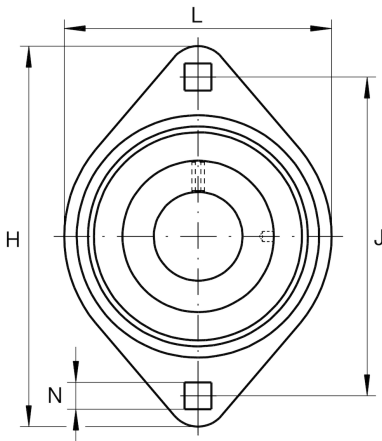
Schaeffler ID:
0009082820000

Housing units RATY, two-bolt flanged housing units, sheet steel, grub screws in inner ring, P seals

★ Preferred product

X-life

Technical information



Main Dimensions & Performance Data

| | | |
|-----------|----------|-----------------------------------|
| d | 15 mm | Bore diameter |
| L | 58,7 mm | Flange width |
| H | 81 mm | Height flange |
| H | 81 mm | Flange width |
| U | 18 mm | Total height unit |
| C_r | 10.100 N | Basic dynamic load rating, radial |
| C_{0r} | 4.750 N | Basic static load rating, radial |
| C_{ur} | 202 N | Fatigue load limit, radial |
| C_{0rG} | 2.700 N | Load carrying capacity (housing) |
| C_g | 2.700 N | Load carrying capacity (housing) |
| | 0,16 kg | Weight |

Dimensions

| | | |
|-------|-------|---------------------------|
| A | 7 mm | Height housing |
| B | 22 mm | Width |
| S_1 | 2 mm | Thickness of flange |
| S | 2 mm | Thickness of flange |
| V | 48 mm | Shoulder diameter housing |

Mounting dimensions

| | | |
|---|---------|--------------------------|
| J | 63,5 mm | Distance fixing bore |
| N | 7.1 mm | Fixing bore |
| N | 7,1 mm | Fixing square |
| n | 2 | Number of screwing holes |

Additional information

| | | |
|--|---------------|---------------------|
| | 2 | Number of housings |
| | FLAN40-MST | Housing |
| | AY15-XL-NPP-B | Bearing designation |