



★ RCJ35-XL-N

Flanged housing unit

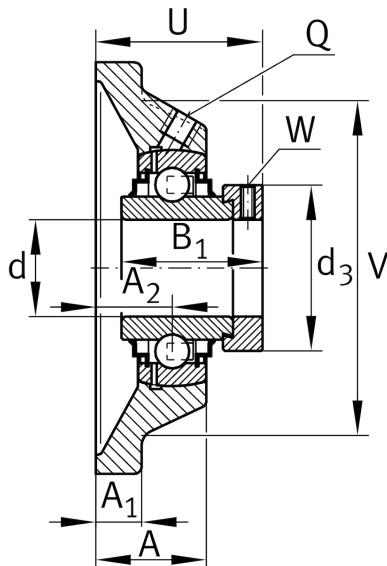
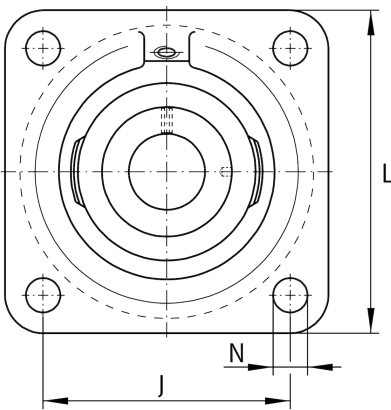
Schaeffler ID:
0096422340000

Housing units RCJ, four-bolt flanged housing units, cast iron, eccentric locking collar, R seals

★ Preferred product

X-life

Technical information



Main Dimensions & Performance Data

d	35 mm	Bore diameter
L	118 mm	Flange width
U	53,5 mm	Total height unit
C_r	27.500 N	Basic dynamic load rating, radial
C_{0r}	15.300 N	Basic static load rating, radial
C_{ur}	800 N	Fatigue load limit, radial
	1,59 kg	Weight

Dimensions

A	30,5 mm	Height housing
A_1	12,5 mm	Thickness of flange
A_2	21 mm	Distance raceway
V	100 mm	Shoulder diameter housing
Q	M6	Connection thread lubrication
d_3	55 mm	Outside diameter eccentric locking collar

Mounting dimensions

J	92 mm	Distance fixing bore
N	14 mm	Fixing bore
n	4	Number of screwing holes

Additional information

1	Number of housings
CJ07	Housing
GE35-XL-KRR-B	Bearing designation
KASK07	Protecting cap