



RCJTZ40-XL

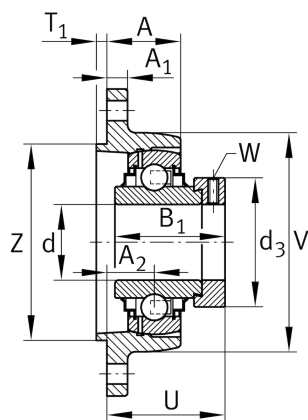
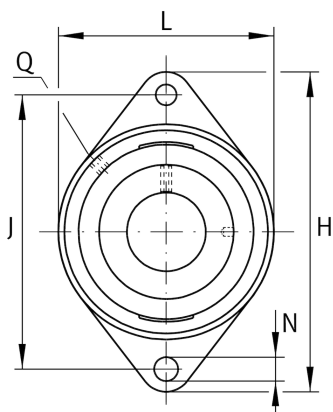
Flanged housing unit

Schaeffler ID:
0008299940000

Housing units RCJTZ, two-bolt flanged housing units, cast iron, centring spigot, eccentric locking collar, R seals

X-life

Technical information



Main Dimensions & Performance Data

d	40 mm	Bore diameter
L	105 mm	Flange width
H	172 mm	Height flange
U	55,1 mm	Total height unit
C _r	34.500 N	Basic dynamic load rating, radial
C _{0r}	19.800 N	Basic static load rating, radial
C _{ur}	840 N	Fatigue load limit, radial
	1,72 kg	Weight

Dimensions

A	30,5 mm	Height housing
A ₁	13 mm	Thickness of flange
A ₂	20 mm	Distance raceway
V	105 mm	Shoulder diameter housing
Q	Rp1/8	Connection thread lubrication
d ₃	58 mm	Outside diameter eccentric locking collar

Mounting dimensions

J	143,5 mm	Distance fixing bore
N	14 mm	Fixing bore
T ₁	4 mm	Height spigot
Z	100 mm	Diameter spigot
	h8	Diameter spigot clearance
n	2	Number of screwing holes

Additional information

	1	Number of housings
	CJTZ08	Housing
	GE40-XL-KRR-B	Bearing designation