



★ RCJTZ45-XL

Flanged housing unit

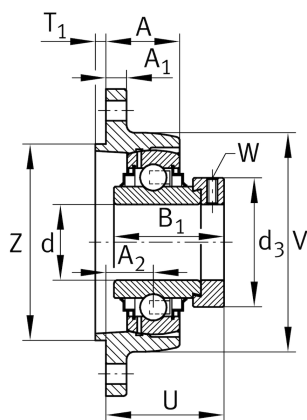
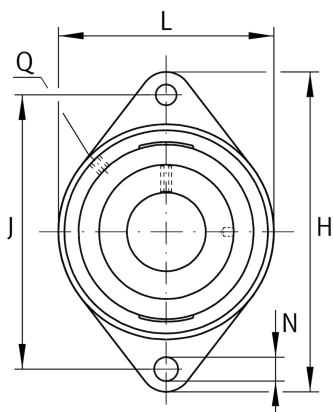
Schaeffler ID:
0008317190000

Housing units RCJTZ, two-bolt flanged housing units, cast iron, centring spigot, eccentric locking collar, R seals

★ Preferred product

X-life

Technical information



Main Dimensions & Performance Data

d	45 mm	Bore diameter
L	111 mm	Flange width
H	180 mm	Height flange
U	55,1 mm	Total height unit
C _r	34.500 N	Basic dynamic load rating, radial
C _{0r}	20.400 N	Basic static load rating, radial
C _{ur}	1.060 N	Fatigue load limit, radial
	1,95 kg	Weight

Dimensions

A	31 mm	Height housing
A ₁	13 mm	Thickness of flange
A ₂	20 mm	Distance raceway
V	111 mm	Shoulder diameter housing
Q	Rp1/8	Connection thread lubrication
d ₃	63 mm	Outside diameter eccentric locking collar

Mounting dimensions

J	148,5 mm	Distance fixing bore
N	14 mm	Fixing bore
T ₁	4 mm	Height spigot
Z	105 mm	Diameter spigot
	h8	Diameter spigot clearance
n	2	Number of screwing holes

Additional information

	1	Number of housings
	CJTZ09	Housing
	GE45-XL-KRR-B	Bearing designation