



★ RCJTZ50-XL

Flanged housing unit

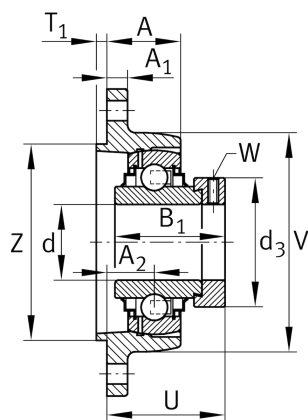
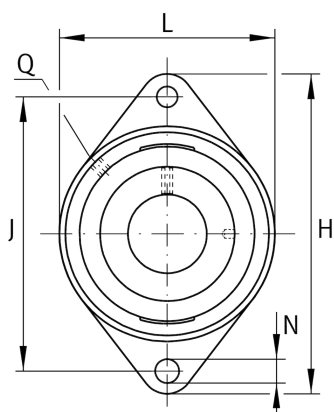
Schaeffler ID:
0008317270000

Housing units RCJTZ, two-bolt flanged housing units, cast iron, centring spigot, eccentric locking collar, R seals

★ Preferred product

X-life

Technical information



Main Dimensions & Performance Data

d	50 mm	Bore diameter
L	116 mm	Flange width
H	190 mm	Height flange
U	62,2 mm	Total height unit
C _r	35.000 N	Basic dynamic load rating, radial
C _{0r}	23.200 N	Basic static load rating, radial
C _{ur}	990 N	Fatigue load limit, radial
	2,32 kg	Weight

Dimensions

A	35 mm	Height housing
A ₁	13 mm	Thickness of flange
A ₂	24 mm	Distance raceway
V	116 mm	Shoulder diameter housing
Q	M6	Connection thread lubrication
d ₃	69 mm	Outside diameter eccentric locking collar

Mounting dimensions

J	157 mm	Distance fixing bore
N	14 mm	Fixing bore
T ₁	4 mm	Height spigot
Z	105 mm	Diameter spigot
	h8	Diameter spigot clearance
n	2	Number of screwing holes

Additional information

	1	Number of housings
	CJTZ10	Housing
	GE50-XL-KRR-B	Bearing designation