



★ RCJY45-XL

Flanged housing unit

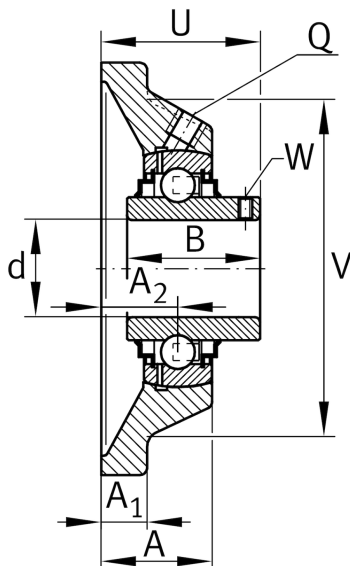
Schaeffler ID:
0008737990000

Housing units RCJY, four-bolt flanged housing units, cast iron, grub screws in inner ring, R seals

★ Preferred product

X-life

Technical information



Main Dimensions & Performance Data

d	45 mm	Bore diameter
L	137 mm	Flange width
U	54,2 mm	Total height unit
C _r	34.500 N	Basic dynamic load rating, radial
C _{0r}	20.400 N	Basic static load rating, radial
C _{ur}	680 N	Fatigue load limit, radial
	2,15 kg	Weight

Dimensions

A	35 mm	Height housing
A ₁	13 mm	Thickness of flange
A ₂	24 mm	Distance raceway
B	49,2 mm	Width
V	116 mm	Shoulder diameter housing
Q	Rp1/8	Connection thread lubrication

Mounting dimensions

J	105 mm	Distance fixing bore
N	14 mm	Fixing bore
n	4	Number of screwing holes

Additional information

	1	Number of housings
	CJ09	Housing
	GYE45-XL-KRR-B	Bearing designation