



★ RCJY60-XL-N

Flanged housing unit

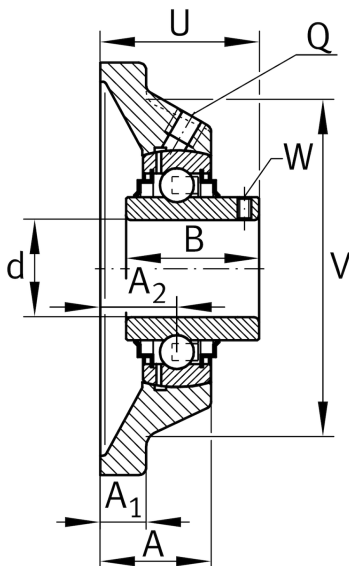
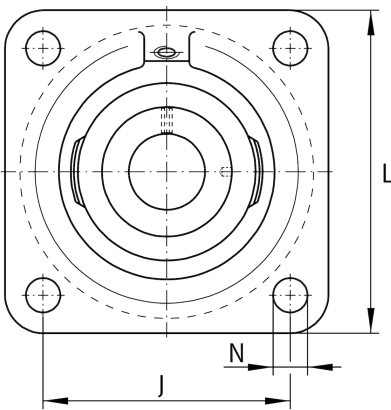
Schaeffler ID:
0009491400000

★ Preferred product

Housing units RCJY, four-bolt flanged housing units, cast iron, grub screws in inner ring, R seals

X-life

Technical information



Main Dimensions & Performance Data

d	60 mm	Bore diameter
L	175 mm	Flange width
U	73,7 mm	Total height unit
C_r	56.000 N	Basic dynamic load rating, radial
C_{0r}	36.000 N	Basic static load rating, radial
C_{ur}	1.870 N	Fatigue load limit, radial
	3,89 kg	Weight

Dimensions

A	47,5 mm	Height housing
A_1	16 mm	Thickness of flange
A_2	34 mm	Distance raceway
B	65,1 mm	Width
V	150 mm	Shoulder diameter housing
Q	Rp1/8	Connection thread lubrication

Mounting dimensions

J	143 mm	Distance fixing bore
N	18 mm	Fixing bore
n	4	Number of screwing holes

Additional information

1	Number of housings
CJ12	Housing
GYE60-XL-KRR-B	Bearing designation
KASK12	Protecting cap