



★ RFE35-XL

Flanged housing unit

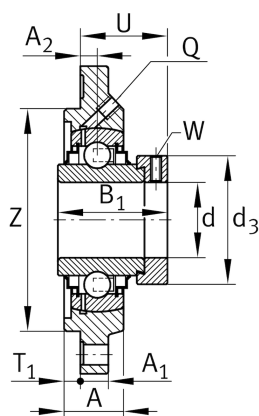
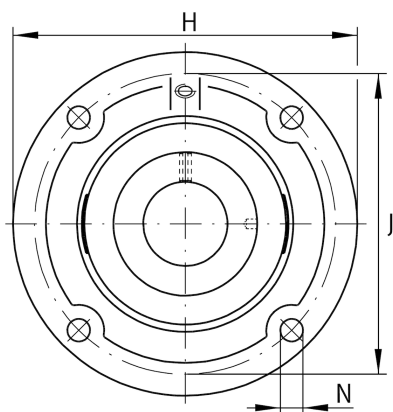
Schaeffler ID:
0008276490000

★ Preferred product

Housing units RFE, four-bolt flanged housing units, cast iron, centring spigot, eccentric locking collar, R seals

X-life

Technical information



Main Dimensions & Performance Data

d	35 mm	Bore diameter
H	135 mm	Height flange
H	135 mm	Flange width
U	41,3 mm	Total height unit
C _r	25.500 N	Basic dynamic load rating, radial
C _{0r}	15.300 N	Basic static load rating, radial
C _{ur}	800 N	Fatigue load limit, radial
	1,3 kg	Weight

Dimensions

A	22,5 mm	Height housing
A ₁	10 mm	Thickness of flange
A ₂	9 mm	Distance raceway
B ₁	51,3 mm	Locking collar total width
Q	M6	Connection thread lubrication

Mounting dimensions

J	110 mm	Distance fixing bore
J	110 mm	Pitch circle diameter (holes)
N	11,5 mm	Fixing bore
T ₁	4 mm	Height spigot
Z	90 mm	Diameter spigot
	h8	Diameter spigot clearance
n	4	Number of screwing holes

Additional information

	1	Number of housings
	GG.FE07	Housing
	GE35-XL-KRR-B	Bearing designation