



## ★ RME60-XL-N

Flanged housing unit

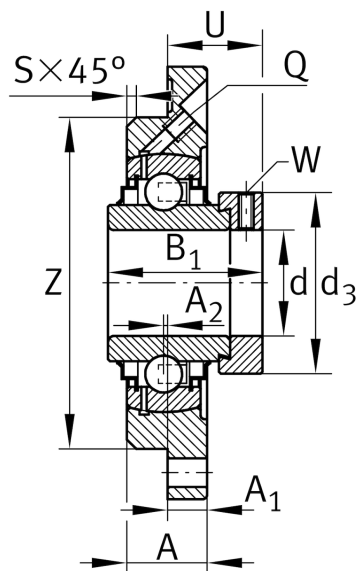
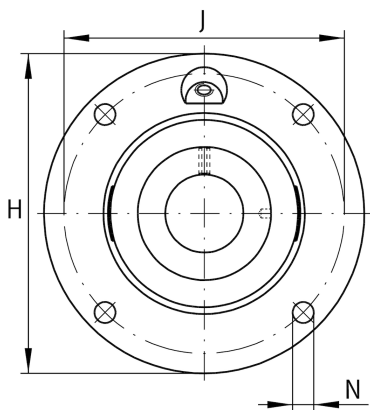
Schaeffler ID:  
0096432220000

★ Preferred product

Housing units RME, four-bolt flanged housing units, cast iron, centring spigot, eccentric locking collar, R seals

X-life

### Technical information



### Main Dimensions & Performance Data

d	60 mm	Bore diameter
H	195 mm	Height flange
B <sub>1</sub>	77,9 mm	Locking collar total width
U	45,9 mm	Total height unit
C <sub>r</sub>	56.000 N	Basic dynamic load rating, radial
C <sub>0r</sub>	36.000 N	Basic static load rating, radial
C <sub>ur</sub>	1.870 N	Fatigue load limit, radial
	4,04 kg	Weight

### Dimensions

A	29 mm	Height housing
A <sub>1</sub>	16 mm	Thickness of flange
A <sub>2</sub>	1 mm	Distance raceway
S	3 mm	Chamfer width
Q	M6	Connection thread lubrication

### Mounting dimensions

J	160 mm	Pitch circle diameter (holes)
N	18 mm	Fixing bore
Z	135 mm	Diameter spigot
	h8	Diameter spigot clearance
n	4	Number of screwing holes

### Additional information

	1	Number of housings
	GG.ME12	Housing
	GE60-XL-KRR-B	Bearing designation
	KASK12	Protecting cap