



★ RMEY20-XL-N

Flanged housing unit

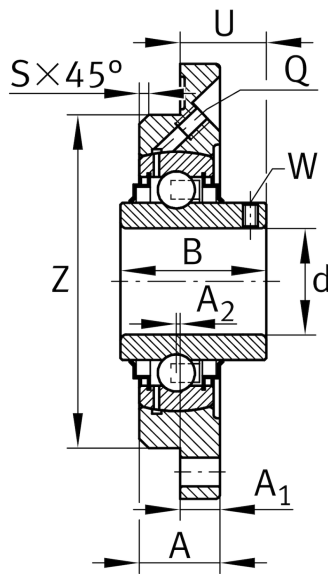
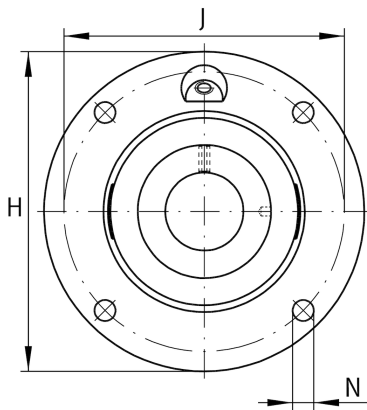
Schaeffler ID:
0009448070000

★ Preferred product

Housing units RMEY, four-bolt flanged housing units, cast iron, centring spigot, grub screws in inner ring, R seals

X-life

Technical information



Main Dimensions & Performance Data

d	20 mm	Bore diameter
H	100 mm	Height flange
U	16,3 mm	Total height unit
C _r	13.600 N	Basic dynamic load rating, radial
C _{0r}	6.600 N	Basic static load rating, radial
C _{ur}	345 N	Fatigue load limit, radial
	0,5 kg	Weight

Dimensions

A	17 mm	Height housing
A ₁	8 mm	Thickness of flange
A ₂	2 mm	Distance raceway
B	31 mm	Width
S	2 mm	Chamfer width
Q	M6	Connection thread lubrication

Mounting dimensions

J	78 mm	Pitch circle diameter (holes)
N	9 mm	Fixing bore
Z	62 mm	Diameter spigot
	h8	Diameter spigot clearance
n	4	Number of screwing holes

Additional information

	1	Number of housings
	ME04	Housing
	GYE20-XL-KRR-B	Bearing designation
	KASK04	Protecting cap