



## ★ RMEY25-XL-N

Flanged housing unit

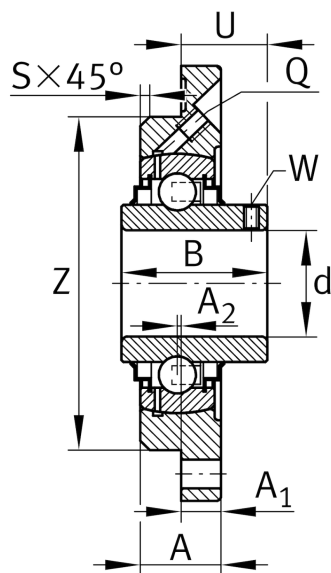
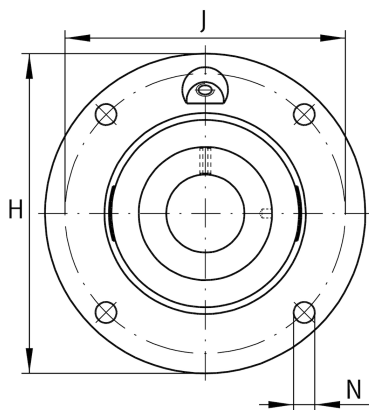
Schaeffler ID:  
0009470080000

★ Preferred product

Housing units RMEY, four-bolt flanged housing units, cast iron, centring spigot, grub screws in inner ring, R seals

X-life

### Technical information



### Main Dimensions & Performance Data

d	25 mm	Bore diameter
H	115 mm	Height flange
U	17,3 mm	Total height unit
C <sub>r</sub>	14.900 N	Basic dynamic load rating, radial
C <sub>0r</sub>	7.800 N	Basic static load rating, radial
C <sub>ur</sub>	410 N	Fatigue load limit, radial
	0,75 kg	Weight

### Dimensions

A	19 mm	Height housing
A <sub>1</sub>	9 mm	Thickness of flange
A <sub>2</sub>	2,5 mm	Distance raceway
B	34,1 mm	Width
S	2 mm	Chamfer width
Q	M6	Connection thread lubrication

### Mounting dimensions

J	90 mm	Pitch circle diameter (holes)
N	9 mm	Fixing bore
Z	70 mm	Diameter spigot
	h8	Diameter spigot clearance
n	4	Number of screwing holes

### Additional information

	1	Number of housings
	ME05	Housing
	GYE25-XL-KRR-B	Bearing designation
	KASK05	Protecting cap