



★ RMEY55-XL

Flanged housing unit

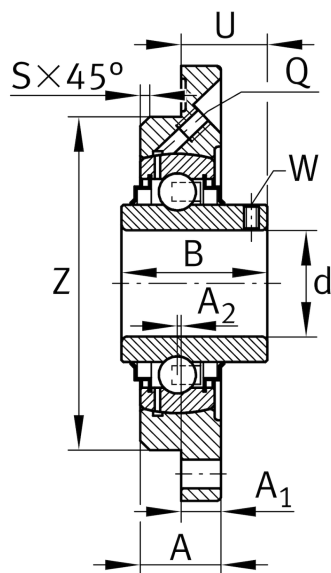
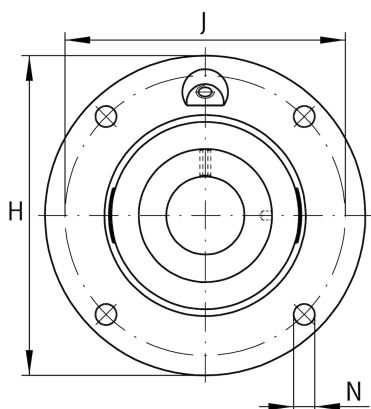
Schaeffler ID:
0009504590000

★ Preferred product

Housing units RMEY, four-bolt flanged housing units, cast iron, centring spigot, grub screws in inner ring, R seals

X-life

Technical information



Main Dimensions & Performance Data

d	55 mm	Bore diameter
H	185 mm	Height flange
U	33,4 mm	Total height unit
C _r	46.000 N	Basic dynamic load rating, radial
C _{0r}	29.000 N	Basic static load rating, radial
C _{ur}	1.520 N	Fatigue load limit, radial
	3,26 kg	Weight

Dimensions

A	27,5 mm	Height housing
A ₁	15 mm	Thickness of flange
B	55,6 mm	Width
S	3 mm	Chamfer width
Q	M6	Connection thread lubrication

Mounting dimensions

J	150 mm	Pitch circle diameter (holes)
N	18 mm	Fixing bore
Z	125 mm	Diameter spigot
	h8	Diameter spigot clearance
n	4	Number of screwing holes

Additional information

	1	Number of housings
	ME11	Housing
	GYE55-XL-KRR-B	Bearing designation