



★ TCJ50-XL-N

Flanged housing unit

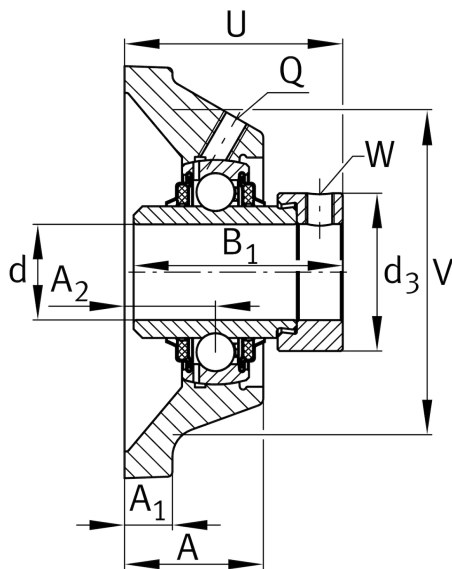
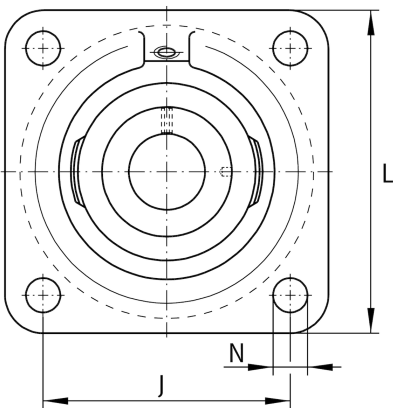
Schaeffler ID:
0009402320000

★ Preferred product

Housing units TCJ, four-bolt flanged housing units, cast iron, eccentric locking collar, T seals

X-life

Technical information



Main Dimensions & Performance Data

d	50 mm	Bore diameter
L	143 mm	Flange width
U	66,2 mm	Total height unit
C_r	37.500 N	Basic dynamic load rating, radial
C_{0r}	23.200 N	Basic static load rating, radial
C_{ur}	1.210 N	Fatigue load limit, radial
	2,62 kg	Weight

Dimensions

A	41 mm	Height housing
A_1	13 mm	Thickness of flange
A_2	28 mm	Distance raceway
V	119 mm	Shoulder diameter housing
Q	M6	Connection thread lubrication

Mounting dimensions

J	111 mm	Distance fixing bore
N	18 mm	Fixing bore
n	4	Number of screwing holes

Additional information

1	Number of housings
CJ10	Housing
GE50-XL-KTT-B	Bearing designation
KASK10	Protecting cap