



## ★ TCJT35-XL-N

Flanged housing unit

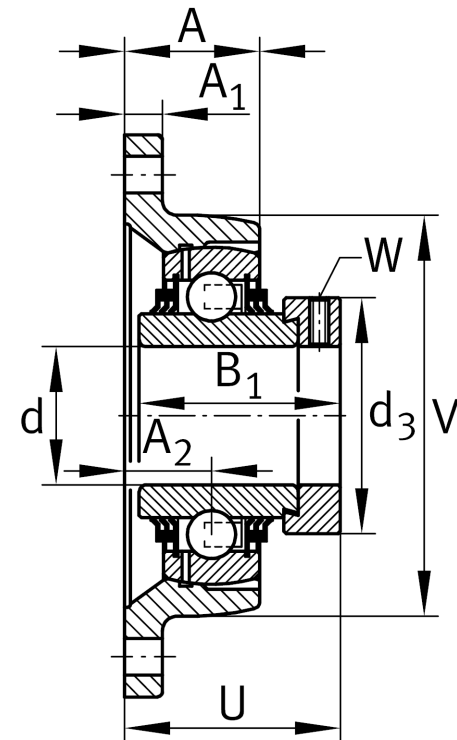
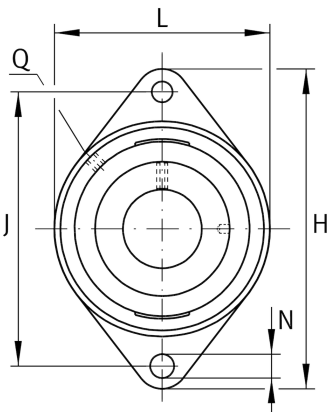
Schaeffler ID:  
0008569320000

★ Preferred product

Housing units TCJT, two-bolt flanged housing units, cast iron, eccentric locking collar, T seals

X-life

### Technical information



### Main Dimensions & Performance Data

d	35 mm	Bore diameter
L	92 mm	Flange width
H	155 mm	Height flange
U	53,5 mm	Total height unit
C <sub>r</sub>	25.500 N	Basic dynamic load rating, radial
C <sub>0r</sub>	15.300 N	Basic static load rating, radial
C <sub>ur</sub>	800 N	Fatigue load limit, radial
	1,21 kg	Weight

### Dimensions

A	30,5 mm	Height housing
A <sub>1</sub>	12,5 mm	Thickness of flange
A <sub>2</sub>	21 mm	Distance raceway
V	92 mm	Shoulder diameter housing
Q	M6	Connection thread lubrication

### Mounting dimensions

J	130 mm	Distance fixing bore
N	14 mm	Fixing bore
n	2	Number of screwing holes

### Additional information

1	Number of housings
CJT07	Housing
GE35-XL-KTT-B	Bearing designation
KASK07	Protecting cap