



TFE25-XL

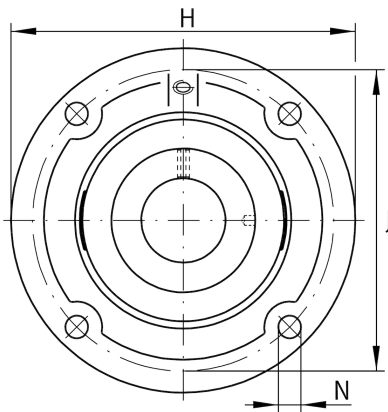
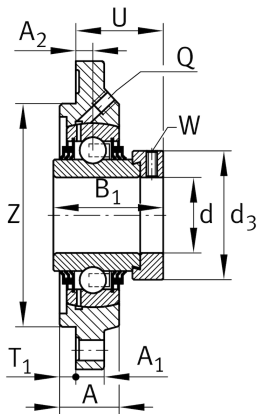
Flanged housing unit

Schaeffler ID:
0008571220000

Housing units TFE, four-bolt flanged housing units, cast iron, centring spigot, eccentric locking collar, T seals

X-life

Technical information



Main Dimensions & Performance Data

d	25 mm	Bore diameter
H	115 mm	Height flange
U	36,4 mm	Total height unit
C_r	14.900 N	Basic dynamic load rating, radial
C_{0r}	7.800 N	Basic static load rating, radial
C_{ur}	410 N	Fatigue load limit, radial
	0,83 kg	Weight

Dimensions

A	22 mm	Height housing
	1	Number of housings
A_1	9 mm	Thickness of flange
A_2	9,5 mm	Distance raceway
	FE05	Housing
	GE25-XL-KTT-B	Bearing designation
B_1	44,5 mm	Locking collar total width
Q	M6	Connection thread lubrication

Mounting dimensions

J	92 mm	Pitch circle diameter (holes)
N	9 mm	Fixing bore
T_1	3 mm	Height spigot
Z	75 mm	Diameter spigot
	h8	Diameter spigot clearance
n	4	Number of screwing holes