



TFE30-XL

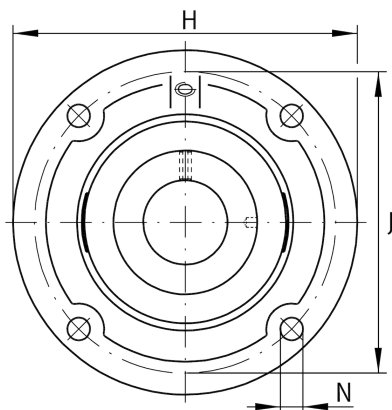
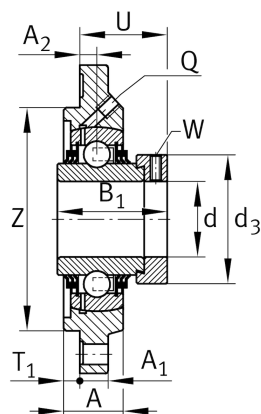
Flanged housing unit

Schaeffler ID:
0008571570000

Housing units TFE, four-bolt flanged housing units, cast iron, centring spigot, eccentric locking collar, T seals

X-life

Technical information



Main Dimensions & Performance Data

d	30 mm	Bore diameter
H	127 mm	Height flange
U	40,6 mm	Total height unit
C_r	20.700 N	Basic dynamic load rating, radial
C_{0r}	11.300 N	Basic static load rating, radial
C_{ur}	590 N	Fatigue load limit, radial
	1,05 kg	Weight

Dimensions

A	22,5 mm	Height housing
	1	Number of housings
A_1	9,5 mm	Thickness of flange
A_2	10,5 mm	Distance raceway
	FE06	Housing
	GE30-XL-KTT-B	Bearing designation
B_1	48,5 mm	Locking collar total width
Q	M6	Connection thread lubrication

Mounting dimensions

J	105 mm	Pitch circle diameter (holes)
N	9 mm	Fixing bore
T_1	3 mm	Height spigot
Z	85 mm	Diameter spigot
	h8	Diameter spigot clearance
n	4	Number of screwing holes