



FAG

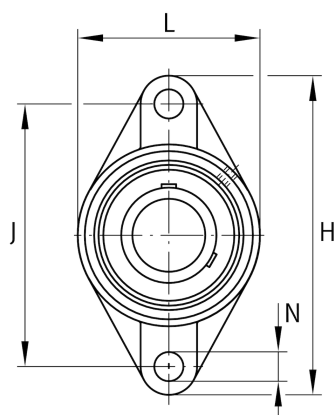
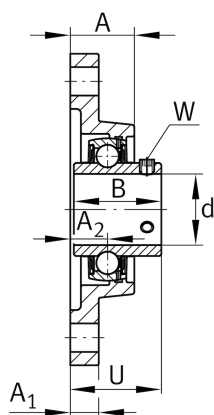
**UCFL205**

Flanged housing unit

Schaeffler ID:  
0808213160000

Flanged housing unit UCFL

## Technical information

**Main Dimensions & Performance Data**

d	25 mm	Bore diameter
L	68 mm	Flange width
H	130 mm	Height flange
U	35,8 mm	Total height unit
C <sub>r</sub>	14.000 N	Basic dynamic load rating, radial
C <sub>0r</sub>	7.800 N	Basic static load rating, radial
C <sub>ur</sub>	335 N	Fatigue load limit, radial
	0,673 kg	Weight

**Dimensions**

A	27 mm	Height housing
	1	Number of housings
A <sub>1</sub>	15 mm	Thickness of flange
A <sub>2</sub>	16 mm	Distance raceway
	FL205	Housing
	UC205	Bearing designation
B	34,1 mm	Width
Q	M6	Connection thread lubrication

**Mounting dimensions**

J	99 mm	Distance fixing bore
J	90 mm	Pitch circle diameter (holes)
N	16 mm	Fixing bore
N <sub>1</sub>	63,6 mm	Distance fixing bore
n	2	Number of screwing holes