

## ★ PASEY15-XL

Plummer block housing unit

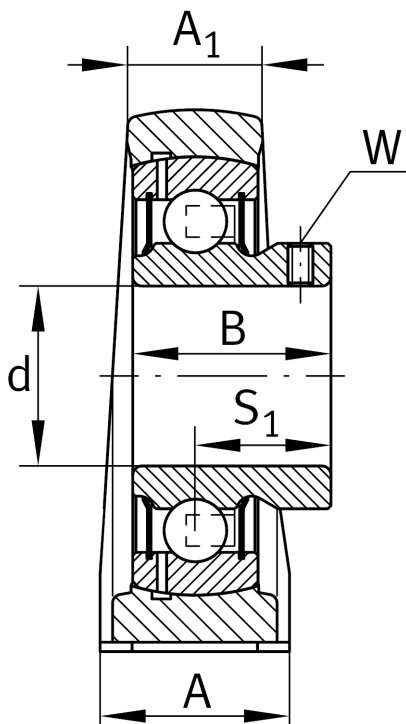
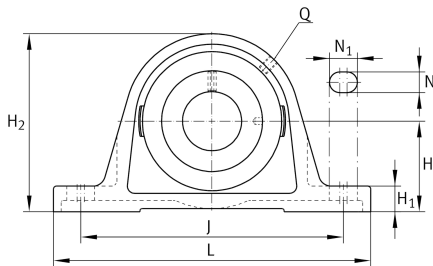
Schaeffler ID:  
0009292040000

Plummer block housing units PASEY, cast iron housing, radial insert ball bearing with grub screws in inner ring, P seals

★ Preferred product

X-life

### Technical information



### Main Dimensions & Performance Data

d	15 mm	Bore diameter
L	125 mm	Length total
H <sub>2</sub>	57 mm	Height
	0,41 kg	Weight

### Dimensions

H	30,2 mm	Distance shaft axis
A	30 mm	Width (base)
A <sub>1</sub>	18 mm	Width (head)
H <sub>1</sub>	10 mm	Height (base)
Q	M6	Connection thread lubrication

### Mounting dimensions

J	95 mm	Distance fixing bore
N	11 mm	Width (slot)
N <sub>1</sub>	19 mm	Length (slot)

### Additional information

ASE03	Housing
GAY15-XL-NPP-B	Bearing designation