

## PASEY20-XL-N

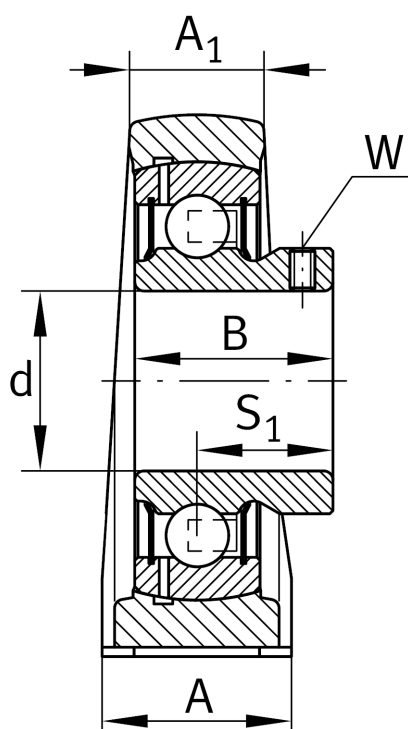
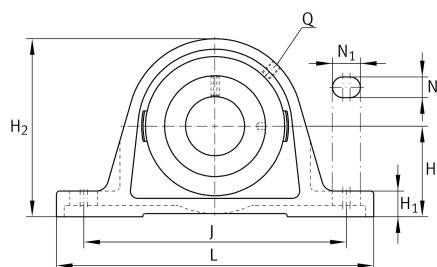
Plummer block housing unit

Schaeffler ID:  
0008820620000

Plummer block housing units PASEY, cast iron housing, radial insert ball bearing with grub screws in inner ring, P seals

X-life

### Technical information



### Main Dimensions & Performance Data

d	20 mm	Bore diameter
L	130 mm	Length total
H <sub>2</sub>	64 mm	Height
	0,56 kg	Weight

### Dimensions

H	33,3 mm	Distance shaft axis
	ASE04	Housing
	GAY20-XL-NPP-B	Bearing designation
A	32 mm	Width (base)
	KASK04	Protecting cap
A <sub>1</sub>	19 mm	Width (head)
H <sub>1</sub>	14,5 mm	Height (base)
B	25 mm	Width
S <sub>1</sub>	18 mm	Distance of raceway to locking collar
Q	M6	Connection thread lubrication

### Mounting dimensions

J	97,5 mm	Distance fixing bore
N	11 mm	Width (slot)
N <sub>1</sub>	19 mm	Length (slot)