



★ PASEY25-XL-N

Plummer block housing unit

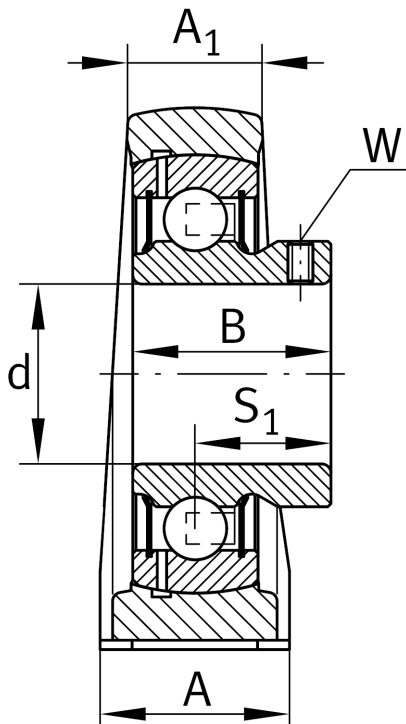
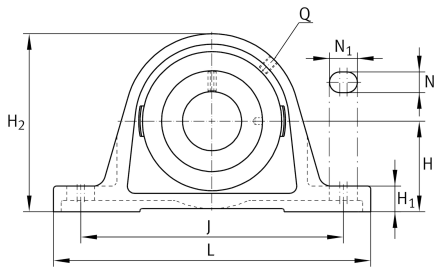
Schaeffler ID:
0008820700000

Plummer block housing units PASEY, cast iron housing, radial insert ball bearing with grub screws in inner ring, P seals

★ Preferred product

X-life

Technical information



Main Dimensions & Performance Data

d	25 mm	Bore diameter
L	130 mm	Length total
H ₂	70 mm	Height
	0,67 kg	Weight

Dimensions

H	36,5 mm	Distance shaft axis
A	36 mm	Width (base)
A ₁	21 mm	Width (head)
H ₁	14,5 mm	Height (base)
Q	M6	Connection thread lubrication

Mounting dimensions

J	102,5 mm	Distance fixing bore
N	11 mm	Width (slot)
N ₁	19 mm	Length (slot)

Additional information

ASE05	Housing
GAY25-XL-NPP-B	Bearing designation
KASK05	Protecting cap