



★ PB.Y17-XL

Plummer block housing unit

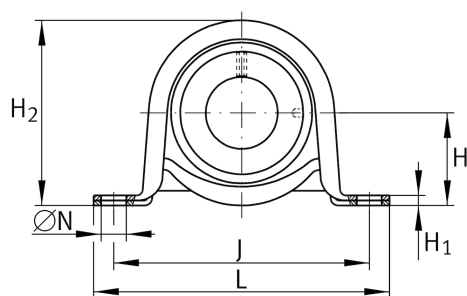
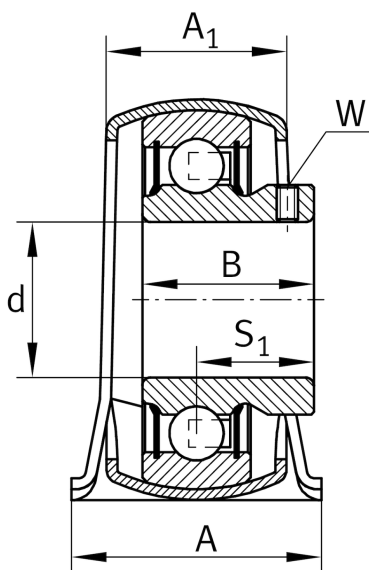
Schaeffler ID:
0009028450000

Plummer block housing unit PB.Y..-XL,
RIBB sheet metal PB

★ Preferred product

X-life

Technical information



Main Dimensions & Performance Data

| | | |
|-----------------------|--------------|---------------------------------------|
| d | 17 mm | Bore diameter |
| L | 85,7 mm | Length total |
| H ₂ | 43,2 mm | Height |
| C _{0rG} | 1.350 N | Load carrying capacity (housing) |
| C _r | 9.800 N | Basic dynamic load rating, radial |
| C _{0r} | 4.750 N | Basic static load rating, radial |
| n _{G Grease} | 22.300 1/min | Limiting speed for grease lubrication |
| | 0,15 kg | Weight |

Dimensions

| | | |
|----------------|---------|---------------------|
| H | 22,2 mm | Distance shaft axis |
| A | 25,4 mm | Width (base) |
| A ₁ | 18,4 mm | Width (head) |
| H ₁ | 2,6 mm | Height (base) |

Mounting dimensions

| | | |
|---|--------|----------------------|
| J | 68 mm | Distance fixing bore |
| N | 9.5 mm | Fixing bore |

Additional information

| | | |
|----------------|---------------|---------------------|
| f ₀ | 13 | Calculation factor |
| | GEH40-BT | Housing |
| | AY17-XL-NPP-B | Bearing designation |