



★ PBY20-XL

Plummer block housing unit

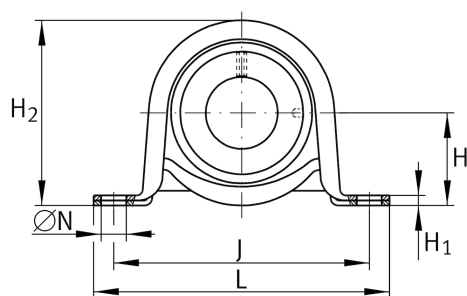
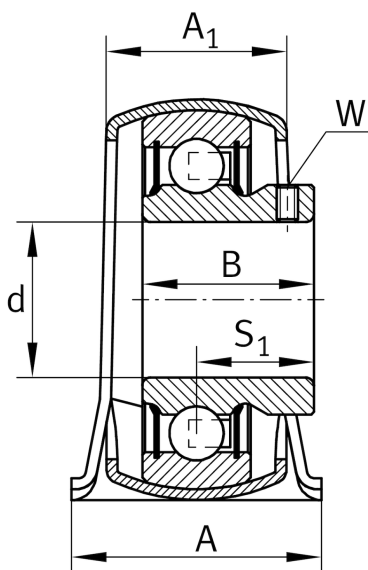
Schaeffler ID:
0008634400000

Plummer block housing unit PBY..-XL,
RIBB sheet metal PB

★ Preferred product

X-life

Technical information



Main Dimensions & Performance Data

d	20 mm	Bore diameter
L	98,4 mm	Length total
H ₂	50,1 mm	Height
C _{0rG}	1.600 N	Load carrying capacity (housing)
C _r	13.600 N	Basic dynamic load rating, radial
C _{0r}	6.600 N	Basic static load rating, radial
n _{G Grease}	18.700 1/min	Limiting speed for grease lubrication
	0,22 kg	Weight

Dimensions

H	25,4 mm	Distance shaft axis
A	31,8 mm	Width (base)
A ₁	22,3 mm	Width (head)
H ₁	3,3 mm	Height (base)

Mounting dimensions

J	76 mm	Distance fixing bore
N	9.5 mm	Fixing bore

Additional information

f ₀	13,1	Calculation factor
	GEH47-BT	Housing
	AY20-XL-NPP-B	Bearing designation