



★ PB25-XL

Plummer block housing unit

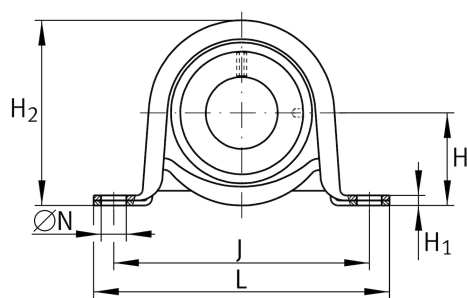
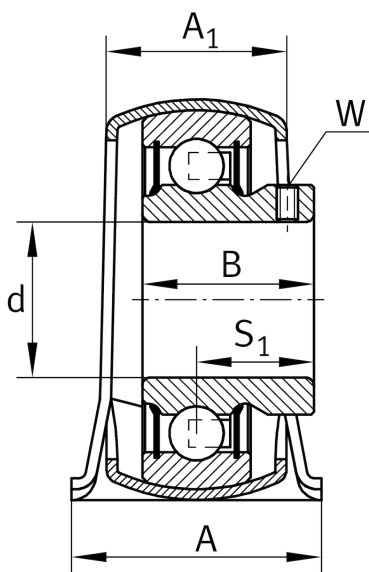
Schaeffler ID:
0008721050000

Plummer block housing unit PB25..-XL,
RIBB sheet metal PB

★ Preferred product

X-life

Technical information



Main Dimensions & Performance Data

d	25 mm	Bore diameter
L	108 mm	Length total
H ₂	56,5 mm	Height
C _{0rG}	1.800 N	Load carrying capacity (housing)
C _r	14.000 N	Basic dynamic load rating, radial
C _{0r}	7.800 N	Basic static load rating, radial
n _{G Grease}	16.700 1/min	Limiting speed for grease lubrication
	0,25 kg	Weight

Dimensions

H	28,6 mm	Distance shaft axis
A	31,8 mm	Width (base)
A ₁	23,5 mm	Width (head)
H ₁	4 mm	Height (base)

Mounting dimensions

J	86 mm	Distance fixing bore
N	11.5 mm	Fixing bore

Additional information

f ₀	13,8	Calculation factor
	GEH52-BT	Housing
	AY25-XL-NPP-B	Bearing designation