

PSHEY35-XL-N

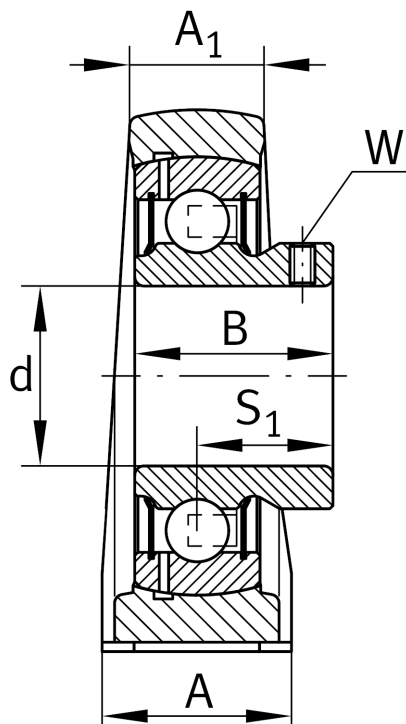
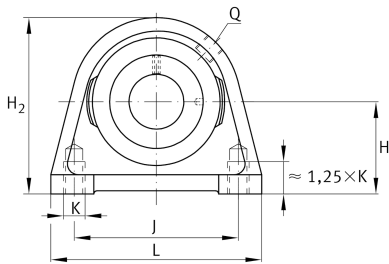
Plummer block housing unit

Schaeffler ID:
0008937570000

Plummer block housing units PSHEY, cast iron housing, radial insert ball bearing with grub screws in inner ring, P seals

X-life

Technical information



Main Dimensions & Performance Data

d	35 mm	Bore diameter
L	103 mm	Length total
H ₂	93 mm	Height
	1,2 kg	Weight

Dimensions

H	47,6 mm	Distance shaft axis
A	45 mm	Width (base)
A ₁	27 mm	Width (head)
Q	Rp1/8	Connection thread lubrication

Mounting dimensions

J	82,6 mm	Distance fixing bore
K	M10	Thread fixing bore

Additional information

SHE07	Housing
GAY35-XL-NPP-B	Bearing designation
KASK07	Protecting cap