

★ PSHEY60-XL-N

Plummer block housing unit

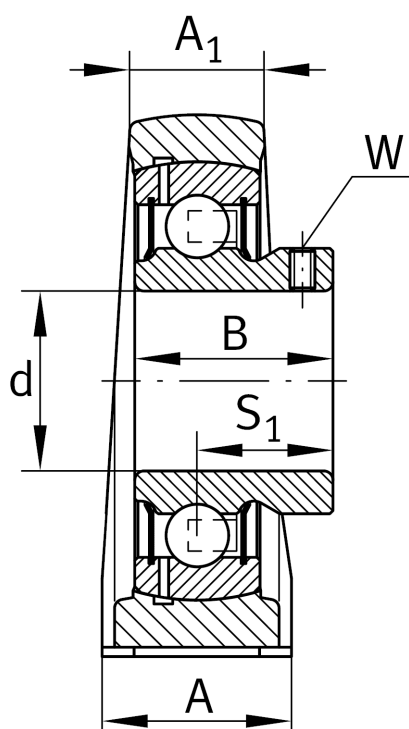
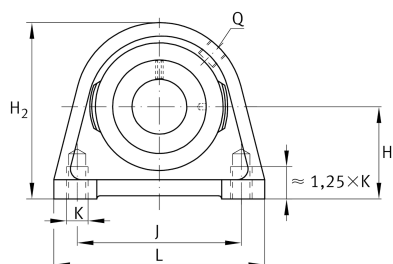
Schaeffler ID:
0009489500000

Plummer block housing units PSHEY, cast iron housing, radial insert ball bearing with grub screws in inner ring, P seals

★ Preferred product

X-life

Technical information



Main Dimensions & Performance Data

| | | |
|----------------|--------|---------------|
| d | 60 mm | Bore diameter |
| L | 150 mm | Length total |
| H ₂ | 140 mm | Height |
| | 3,6 kg | Weight |

Dimensions

| | | |
|----------------|---------|-------------------------------|
| H | 69,9 mm | Distance shaft axis |
| A | 60 mm | Width (base) |
| A ₁ | 42 mm | Width (head) |
| Q | Rp1/8 | Connection thread lubrication |

Mounting dimensions

| | | |
|---|--------|----------------------|
| J | 118 mm | Distance fixing bore |
| K | M16 | Thread fixing bore |

Additional information

| | |
|----------------|---------------------|
| SHE12 | Housing |
| GAY60-XL-NPP-B | Bearing designation |
| KASK12 | Protecting cap |