

## ★ RASE45-XL

Plummer block housing unit

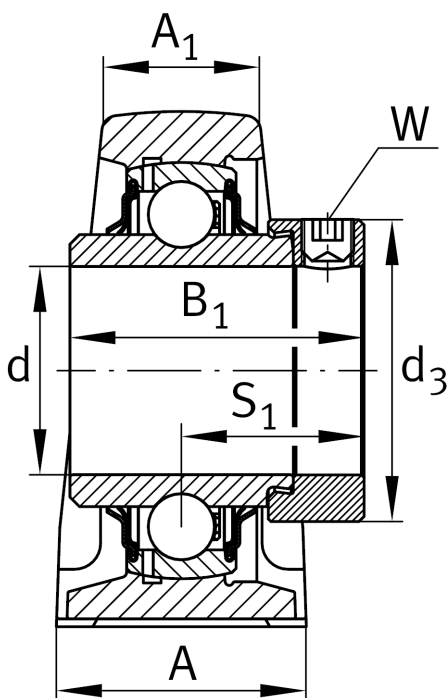
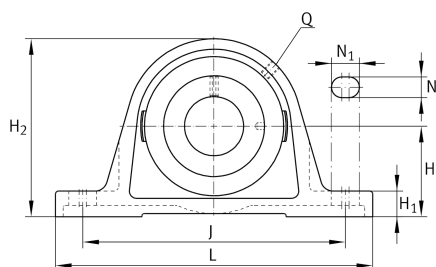
Schaeffler ID:  
0008307040000

Plummer block housing units RASE, cast iron housing, radial insert ball bearing with eccentric locking collar, R seals

★ Preferred product

X-life

### Technical information



### Main Dimensions & Performance Data

|                |         |               |
|----------------|---------|---------------|
| d              | 45 mm   | Bore diameter |
| L              | 192 mm  | Length total  |
| H <sub>2</sub> | 107 mm  | Height        |
|                | 2,28 kg | Weight        |

### Dimensions

|                |         |                               |
|----------------|---------|-------------------------------|
| H              | 54 mm   | Distance shaft axis           |
| A              | 48 mm   | Width (base)                  |
| A <sub>1</sub> | 32 mm   | Width (head)                  |
| H <sub>1</sub> | 21,5 mm | Height (base)                 |
| Q              | M6      | Connection thread lubrication |

### Mounting dimensions

|                |           |                      |
|----------------|-----------|----------------------|
| J              | 149,65 mm | Distance fixing bore |
| N              | 14 mm     | Width (slot)         |
| N <sub>1</sub> | 29 mm     | Length (slot)        |

### Additional information

|               |                     |
|---------------|---------------------|
| ASE09         | Housing             |
| GE45-XL-KRR-B | Bearing designation |