

RASE20-XL-N-FA125

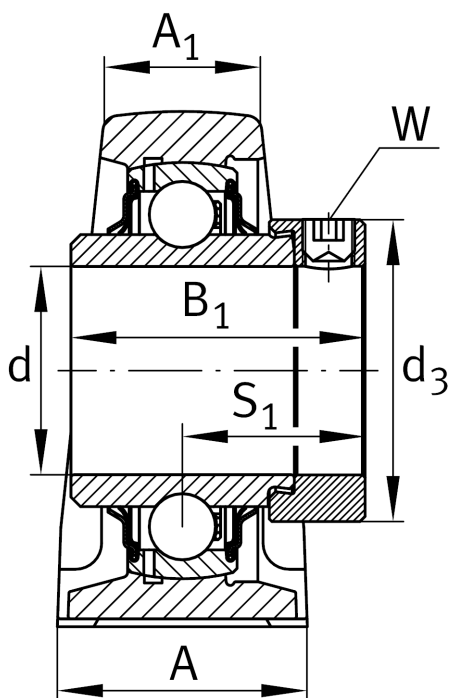
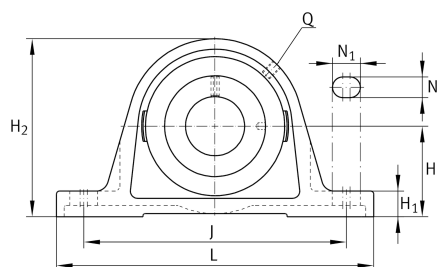
Plummer block housing unit

Schaeffler ID:
0076460200000

Plummer block housing units RASE...-FA125, cast iron housing, radial insert ball bearing with eccentric locking collar, R seals, with anti-corrosion protection

X-life

Technical information



Main Dimensions & Performance Data

d	20 mm	Bore diameter
L	130 mm	Length total
H ₂	64 mm	Height
	0,61 kg	Weight

Dimensions

H	33,3 mm	Distance shaft axis
	ASE04	Housing
	GE20-XL-KRR-B-	Bearing designation
	FA125	
A	32 mm	Width (base)
	KASK04	Protecting cap
A ₁	19 mm	Width (head)
H ₁	14,5 mm	Height (base)
B ₁	43,7 mm	Locking collar total width
S ₁	26,6 mm	Distance of raceway to locking collar
Q	M6	Connection thread lubrication

Mounting dimensions

J	97,5 mm	Distance fixing bore
N	11 mm	Width (slot)
N ₁	19 mm	Length (slot)