

## ★ RASE25-XL-N-FA125

Plummer block housing unit

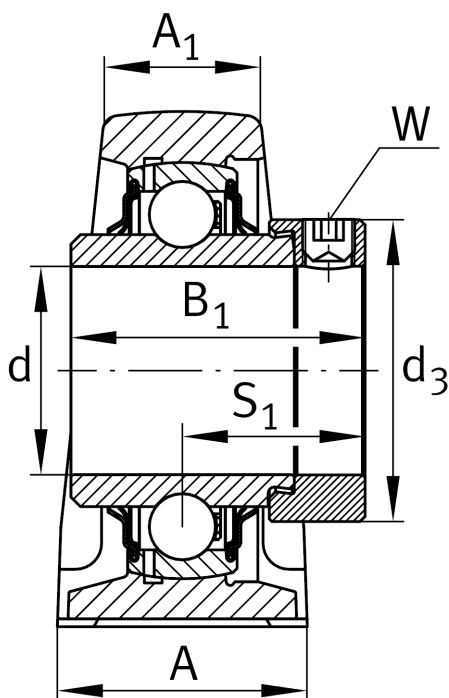
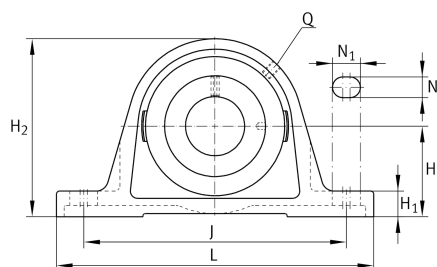
Schaeffler ID:  
0076454140000

★ Preferred product

Plummer block housing units RASE...-FA125, cast iron housing, radial insert ball bearing with eccentric locking collar, R seals, with anti-corrosion protection

X-life

### Technical information



### Main Dimensions & Performance Data

d	25 mm	Bore diameter
L	130 mm	Length total
H <sub>2</sub>	70 mm	Height
	0,76 kg	Weight

### Dimensions

H	36,5 mm	Distance shaft axis
A	36 mm	Width (base)
A <sub>1</sub>	21 mm	Width (head)
H <sub>1</sub>	14,5 mm	Height (base)
Q	Rp1/8	Connection thread lubrication

### Mounting dimensions

J	102,5 mm	Distance fixing bore
N	11 mm	Width (slot)
N <sub>1</sub>	19 mm	Length (slot)

### Additional information

ASE05	Housing
GE25-XL-KRR-B-FA125	Bearing designation
KASK05	Protecting cap