

## RASE40-XL-N-FA125

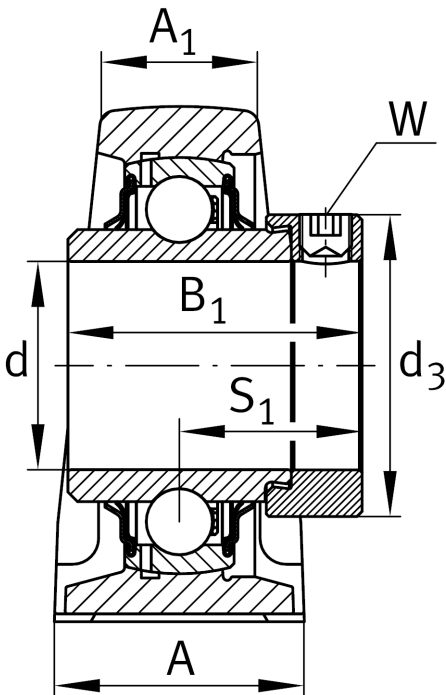
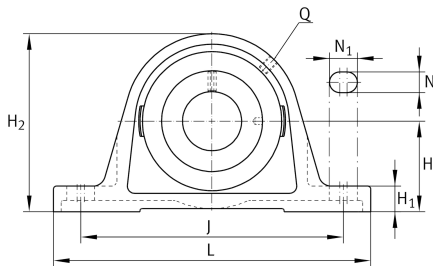
Plummer block housing unit

Schaeffler ID:  
0096327860000

Plummer block housing units RASE...-FA125, cast iron housing, radial insert ball bearing with eccentric locking collar, R seals, with anti-corrosion protection

X-life

### Technical information



### Main Dimensions & Performance Data

d	40 mm	Bore diameter
L	179 mm	Length total
H <sub>2</sub>	99 mm	Height
	1,95 kg	Weight

### Dimensions

H	49,2 mm	Distance shaft axis
	ASE08	Housing
	GE40-XL-KRR-B-	Bearing designation
	FA125	
A	48 mm	Width (base)
	KASK08	Protecting cap
A <sub>1</sub>	30 mm	Width (head)
H <sub>1</sub>	19 mm	Height (base)
B <sub>1</sub>	56,5 mm	Locking collar total width
S <sub>1</sub>	35,1 mm	Distance of raceway to locking collar
Q	M6	Connection thread lubrication

### Mounting dimensions

J	138,25 mm	Distance fixing bore
N	14 mm	Width (slot)
N <sub>1</sub>	26 mm	Length (slot)