

★ RASEY55-XL

Plummer block housing unit

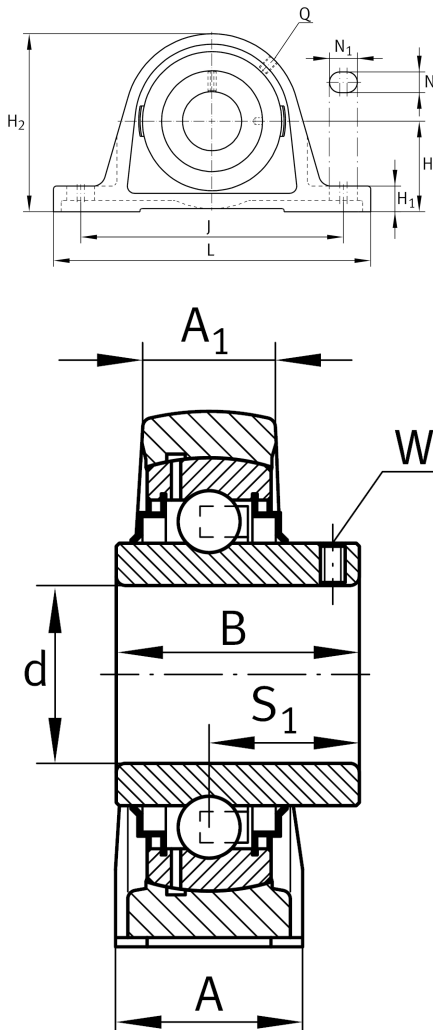
Schaeffler ID:
0009475710000

Plummer block housing units RASEY, cast iron housing, radial insert ball bearing with grub screws in inner ring, R seals

★ Preferred product

X-life

Technical information



Main Dimensions & Performance Data

d	55 mm	Bore diameter
L	222 mm	Length total
H ₂	124,5 mm	Height
	3,22 kg	Weight

Dimensions

H	63,5 mm	Distance shaft axis
A	60 mm	Width (base)
A ₁	35 mm	Width (head)
H ₁	22,5 mm	Height (base)
Q	M6	Connection thread lubrication

Mounting dimensions

J	176 mm	Distance fixing bore
N	18 mm	Width (slot)
N ₁	30 mm	Length (slot)

Additional information

ASE11	Housing
GYE55-XL-KRR-B	Bearing designation