

★ RSHEY20-XL-N

Plummer block housing unit

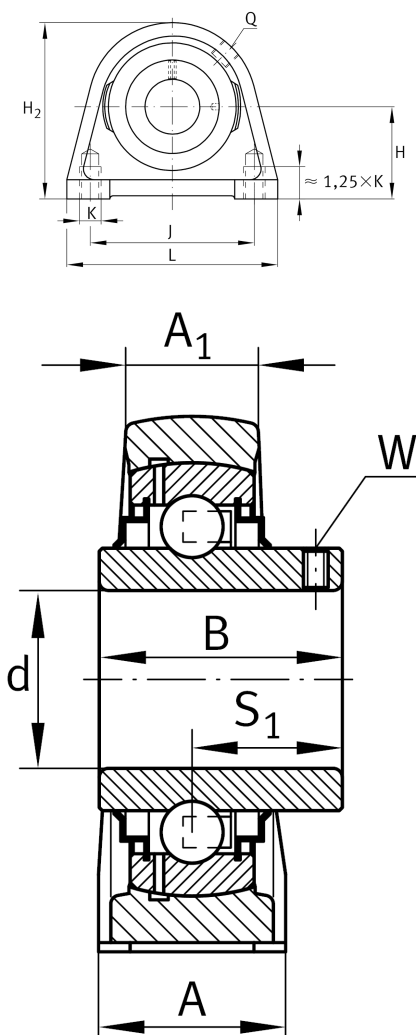
Schaeffler ID:
0009294840000

★ Preferred product

Plummer block housing units RSHEY, cast iron housing, radial insert ball bearing with grub screws in inner ring, R seals

X-life

Technical information



Main Dimensions & Performance Data

d	20 mm	Bore diameter
L	65 mm	Length total
H ₂	64 mm	Height
	0,44 kg	Weight

Dimensions

H	33,3 mm	Distance shaft axis
A	32 mm	Width (base)
A ₁	19 mm	Width (head)
Q	Rp1/8	Connection thread lubrication

Mounting dimensions

J	50,8 mm	Distance fixing bore
K	M8	Thread fixing bore

Additional information

SHE04	Housing
GYE20-XL-KRR-B	Bearing designation
KASK04	Protecting cap