



★ RSHEY25-XL-N

Plummer block housing unit

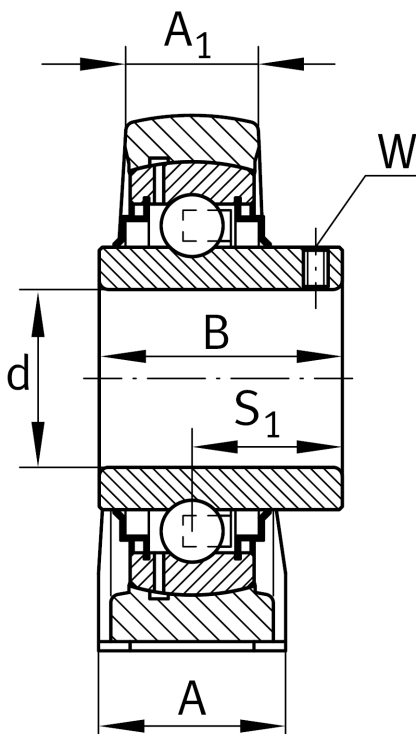
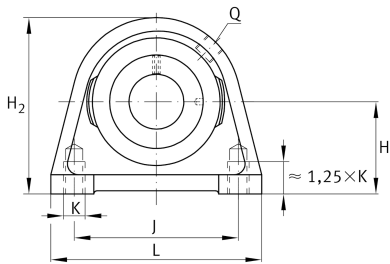
Schaeffler ID:
0008635640000

★ Preferred product

Plummer block housing units RSHEY, cast iron housing, radial insert ball bearing with grub screws in inner ring, R seals

X-life

Technical information



Main Dimensions & Performance Data

| | | |
|----------------|---------|---------------|
| d | 25 mm | Bore diameter |
| L | 70 mm | Length total |
| H ₂ | 70 mm | Height |
| | 0,54 kg | Weight |

Dimensions

| | | |
|----------------|---------|-------------------------------|
| H | 36,5 mm | Distance shaft axis |
| A | 36 mm | Width (base) |
| A ₁ | 21 mm | Width (head) |
| Q | M6 | Connection thread lubrication |

Mounting dimensions

| | | |
|---|---------|----------------------|
| J | 50,8 mm | Distance fixing bore |
| K | M10 | Thread fixing bore |

Additional information

| | |
|----------------|---------------------|
| SHE05 | Housing |
| GYE25-XL-KRR-B | Bearing designation |
| KASK05 | Protecting cap |