

## RSHEY40-XL-N

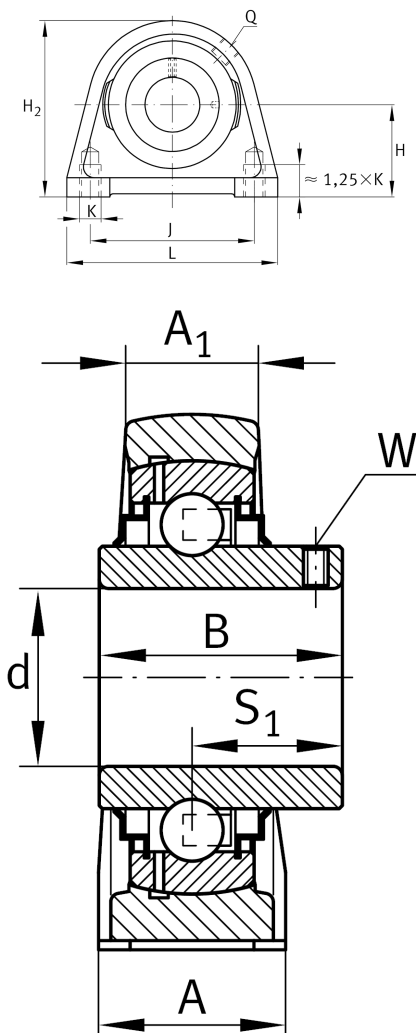
Plummer block housing unit

Schaeffler ID:  
0009345260000

Plummer block housing units RSHEY, cast iron housing, radial insert ball bearing with grub screws in inner ring, R seals

X-life

### Technical information



#### Main Dimensions & Performance Data

d	40 mm	Bore diameter
L	116 mm	Length total
H <sub>2</sub>	99 mm	Height
	1,53 kg	Weight

#### Dimensions

H	49,2 mm	Distance shaft axis
A	48 mm	Width (base)
A <sub>1</sub>	30 mm	Width (head)
Q	Rp1/8	Connection thread lubrication

#### Mounting dimensions

J	88,9 mm	Distance fixing bore
K	M12	Thread fixing bore

#### Additional information

SHE08	Housing
GYE40-XL-KRR-B	Bearing designation
KASK08	Protecting cap