

RSHEY45-XL

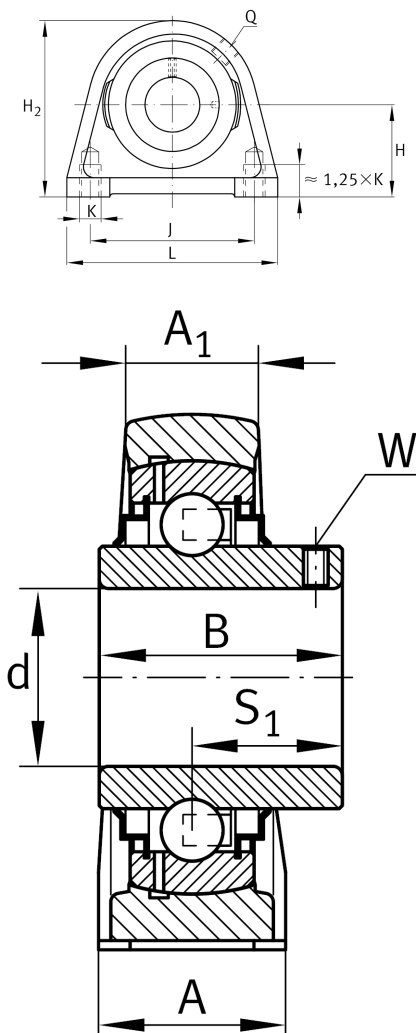
Plummer block housing unit

Schaeffler ID:
0009147380000

Plummer block housing units RSHEY, cast iron housing, radial insert ball bearing with grub screws in inner ring, R seals

X-life

Technical information



Main Dimensions & Performance Data

| | | |
|----------------|--------|---------------|
| d | 45 mm | Bore diameter |
| L | 120 mm | Length total |
| H ₂ | 107 mm | Height |
| | 2 kg | Weight |

Dimensions

| | | |
|----------------|----------------|-------------------------------|
| H | 54 mm | Distance shaft axis |
| | SHE09 | Housing |
| | GYE45-XL-KRR-B | Bearing designation |
| A | 48 mm | Width (base) |
| A ₁ | 32 mm | Width (head) |
| Q | M6 | Connection thread lubrication |

Mounting dimensions

| | | |
|---|---------|----------------------|
| J | 95,3 mm | Distance fixing bore |
| K | M12 | Thread fixing bore |