

★ TASE25-XL-N

Plummer block housing unit

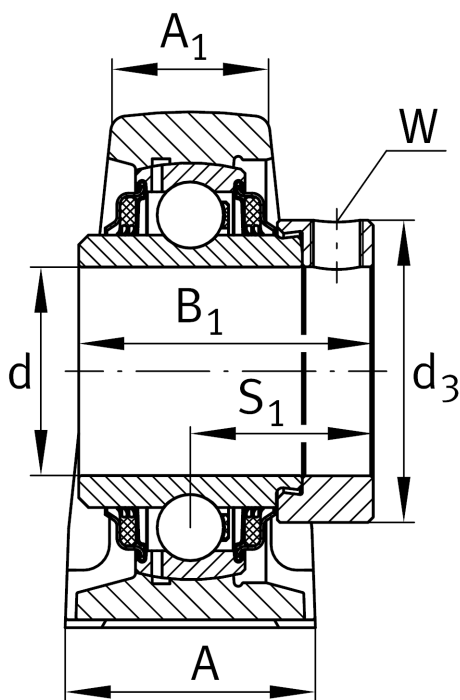
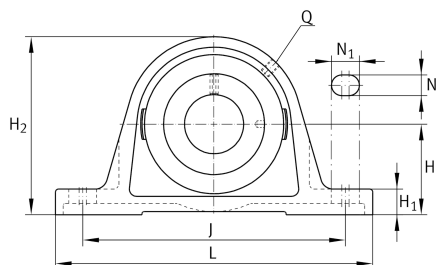
Schaeffler ID:
0008567200000

Plummer block housing units TASE, cast iron housing, radial insert ball bearing with eccentric locking collar, T seals

★ Preferred product

X-life

Technical information



Main Dimensions & Performance Data

d	25 mm	Bore diameter
L	130 mm	Length total
H ₂	70 mm	Height
	0,75 kg	Weight

Dimensions

H	36,5 mm	Distance shaft axis
A	36 mm	Width (base)
A ₁	21 mm	Width (head)
H ₁	14,5 mm	Height (base)
Q	Rp1/8	Connection thread lubrication

Mounting dimensions

J	102,5 mm	Distance fixing bore
N	11 mm	Width (slot)
N ₁	19 mm	Length (slot)

Additional information

ASE05	Housing
GE25-XL-KTT-B	Bearing designation
KASK05	Protecting cap